



## 2.4GHz/5GHz Antenna

• **Cover: ABS/Other**

• **Specifications**

• Frequency Band

2400MHz~2483.5MHz

5150MHz~5850MHz

• VSWR <2.0

• Gain (Max)

2400MHz~2483.5MHz 4dBi

5150MHz~5850MHz 5dBi

• Polarization Vertical

• Impedance 50 Ohm nominal

• Radiation Pattern Omni

• Admitted Power(Max.) 5W

• Connector SMA-M

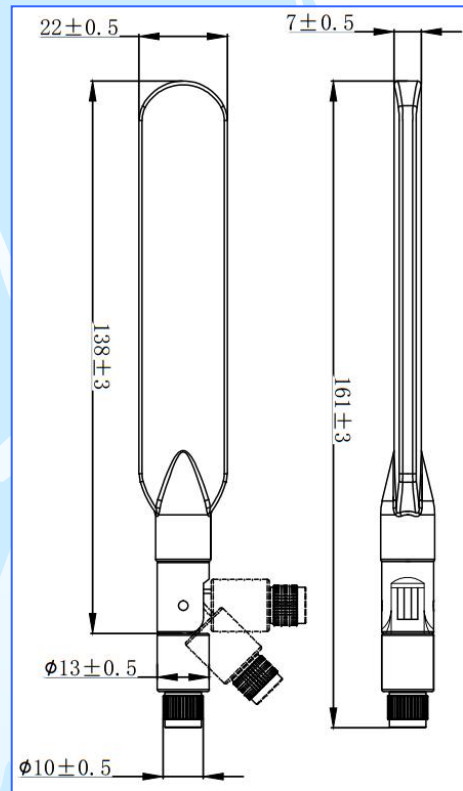
• Weight  $23 \pm 3g$

• Storage Temperature  $-30^{\circ} \sim +70^{\circ} C$

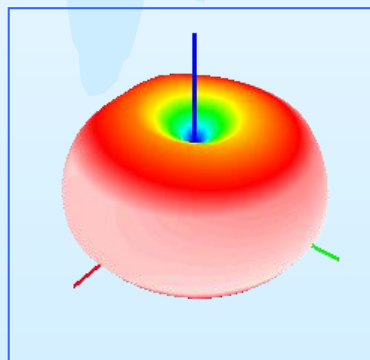
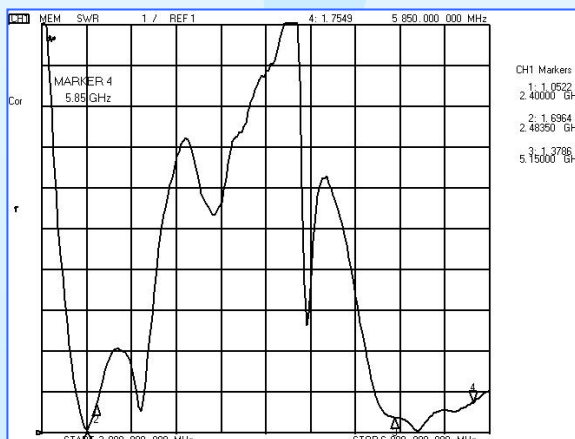
## Anray161481102BC01



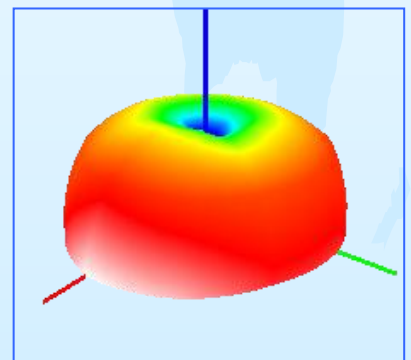
• **Dimensions (Unit: mm)**



## VSWR



2.45GHz



5.5GHz