

Anray Communication Technology CO.,LTD

Anray161391702BA01

2.4GHz/5GHz Dual Band Antenna

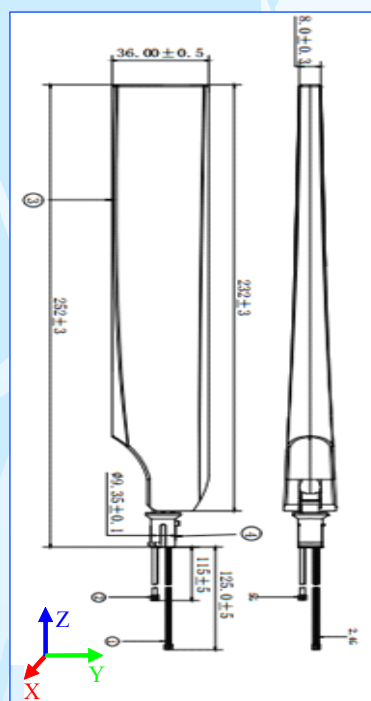
- **Cover: ABS/Other**

- **Specifications**

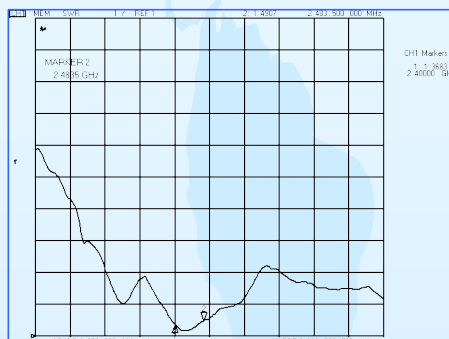
- Frequency Band 2400MHz~2483.5MHz
5150MHz~5850MHz
- VSWR <2.0
- Gain(Max) 7dBi
- Polarization Vertical
- Impedance 50 Ohm nominal
- Admitted Power(Max.) 5W
- Connector IPEX
- Weight 57±5g
- Storage Temperature -30°~ +70°C



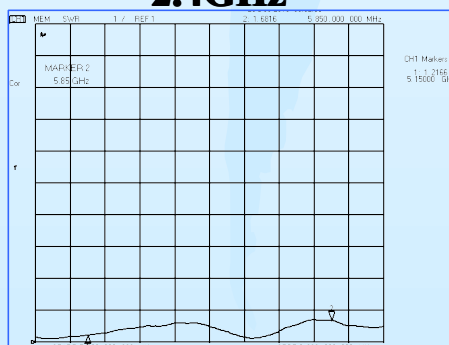
- **Dimensions (Unit: mm)**



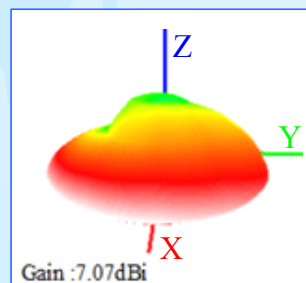
VSWR



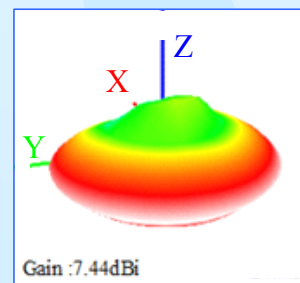
2.4GHz



5GHz



2.45 GHz



5.5GHz

ADD:No.7 JinGuang Road, Kai Xuan Street, Fang Shan District, BeiJing, China

TEL:+86-10-83682678

FAX:+86-10-83681855

Email:sales @anray.com.cn