

# Anray Communication Technology CO.,LTD

Anray140800566BA01

## 2.4G WiFi Antenna(SMA)

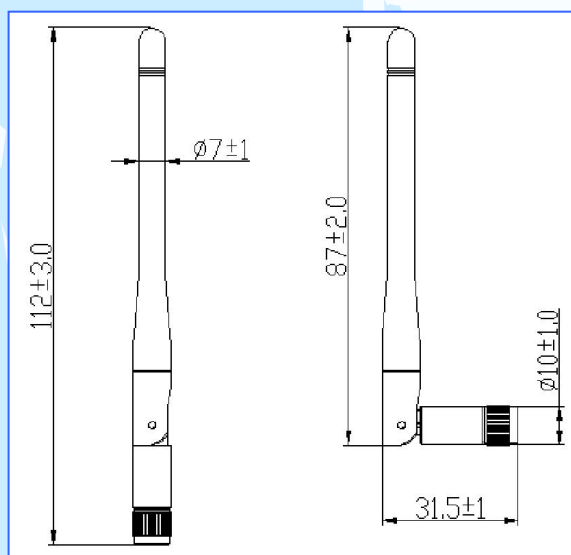
- Cover: TPU/TPE/Other
- Base: PC/ABS/Other



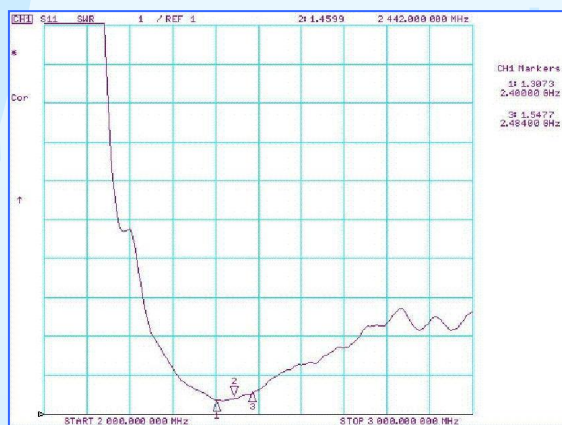
### • Specifications

- Frequency Band 2400-2483.5MHz
- VSWR <2.0
- Gain(Max.) 1.8dBi
- Polarization Linear
- Impedance 50 Ohm nominal
- Connector SMA-Male
- Radiation Pattern Omni
- Admitted Power(Max.) 3W
- Electrical  $1/2\lambda$ Dipole
- Weight  $9 \pm 3g$
- Storage Temperature  $-30^{\circ} \sim +70^{\circ} C$

### • Dimensions (Unit: mm)



### VSWR



ADD:No.7 JinGuang Road, Kai Xuan Street, Fang Shan District, BeiJing, China

TEL:+86-10-83682678

FAX:+86-10-83681855

Email:sales @anray.com.cn