

Anray Communication Technology CO.,LTD

Anray161461202BA01

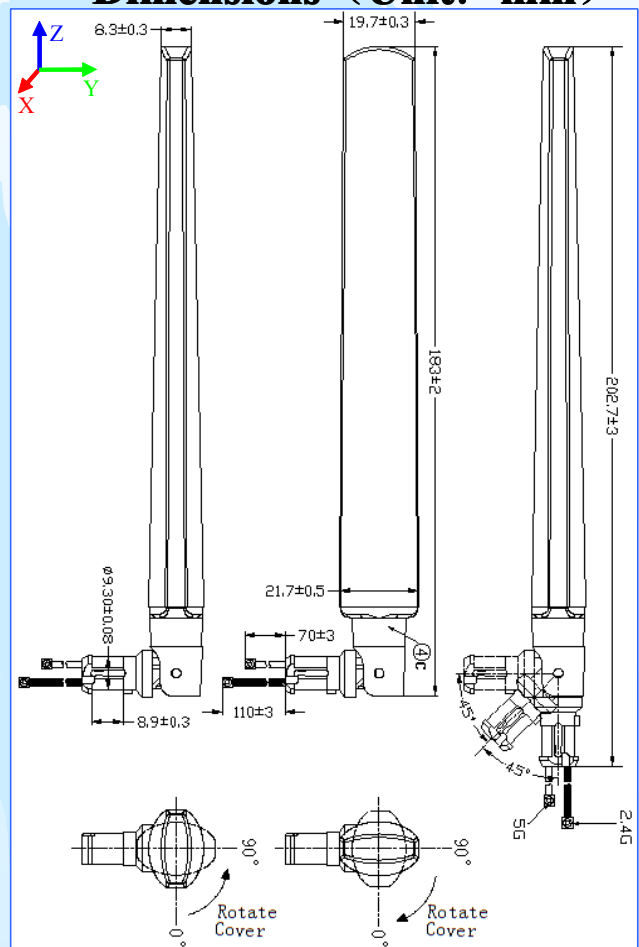
2.4GHz/5GHz WIFI Dual Band Antenna

- **Cover: ABS/Other**
- **Specifications**

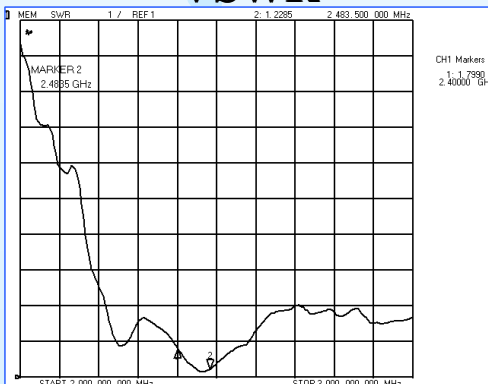
- Frequency Band 2400MHz~2483.5MHz
5150MHz~5850MHz
- VSWR <2.0
- Gain(Max) 2.4G >5dBi
5G >6dBi
- Polarization Vertical
- Impedance 50 Ohm nominal
- Admitted Power(Max.) 5W
- Connector IPEX
- Storage Temperature -30°~ +70°C



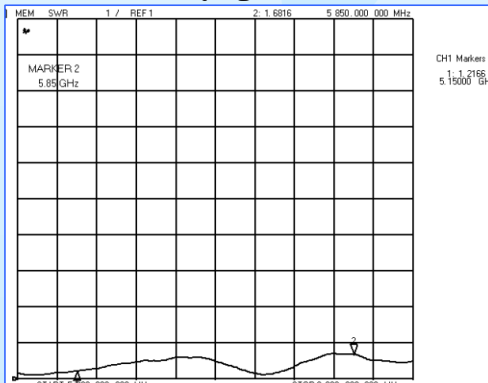
• Dimensions (Unit: mm)



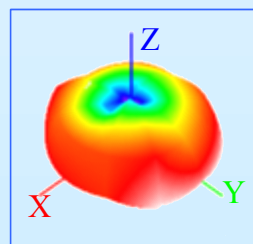
VSWR



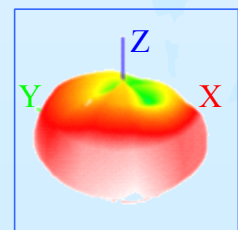
2.4GHz



5GHz



2.45GHz



5.5GHz

ADD:No.7 JinGuang Road, Kai Xuan Street, Fang Shan District, BeiJing, China

TEL:+86-10-83682678

FAX:+86-10-83681855

Email:sales @anray.com.cn