

# Anray Communication Technology CO.,LTD

## GPS Active Antenna

Anray170830751GG07

- 1575.42 ± 1MHz Band Antenna

### Specifications

#### • GPS ANT

Frequency Band	1575.42 ± 1MHz MHz
V.S.W.R	≤2.0
Gain (Max)	5 dBi
Polarization	RHCP
Impedance	50Ω
Cable	Black/RG174/3100mm

#### • LNA

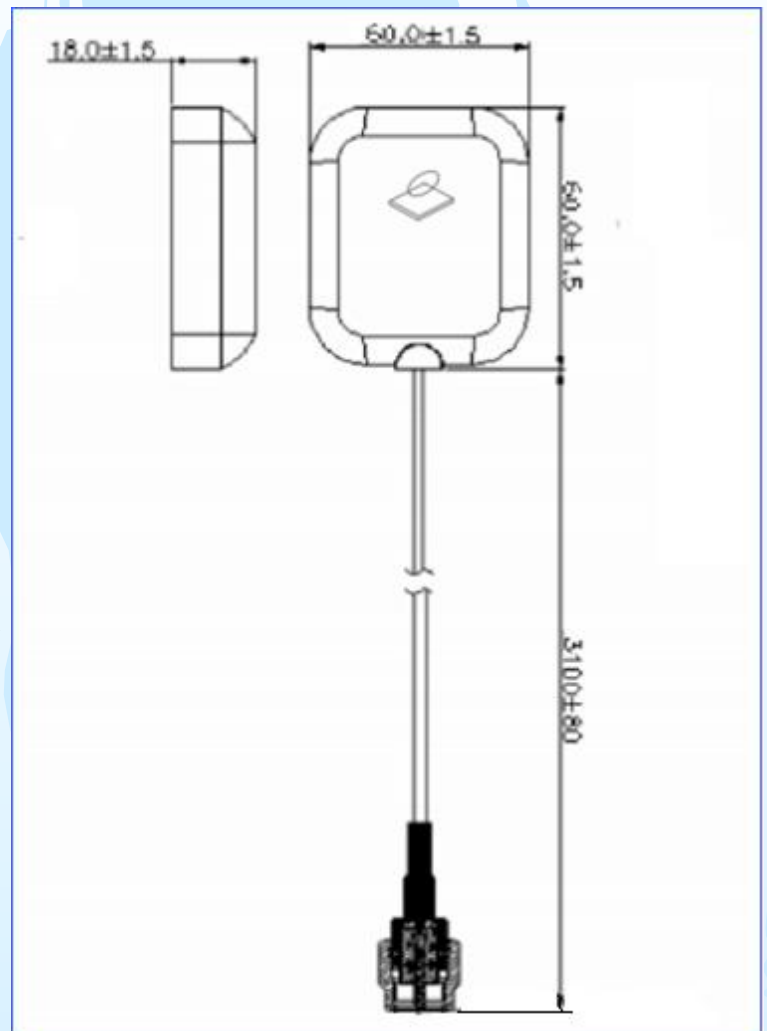
LNA Gain	25 ± 2 dB
Noise Figure	≤2.0 dB
Ex-band Attenuation	>20dB f0 ± 50MHz >40dB f0 ± 75MHz
V.S.W.R	≤2.0
DC Voltage	3~5V
DC Current	≤13mA

#### • Mechanical

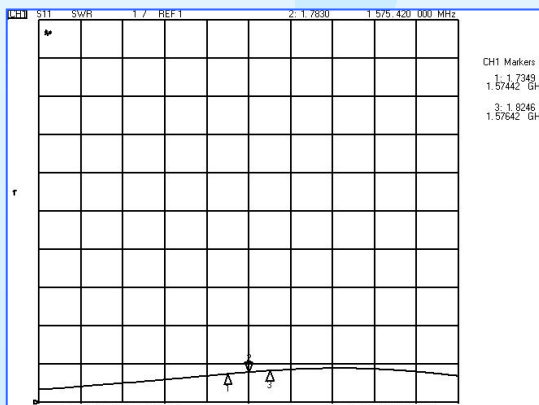
Connector	SMA straight male
Radome Material	ABS
Weight	105 ± 8g
Operation Temperature	-40~+85°C
Waterproof	IP57
Vibration	30 to 55Hz with 0.19mm amplitude 10 minutes
Mounted Type	Magnetic



### • Dimensions (Unit: mm)



### VSWR



ADD:No.7 JinGuang Road, Kai Xuan Street, Fang Shan District, BeiJing, China

TEL:+86-10-83682678

FAX:+86-10-83681855

Email:sales @anray.com.cn