

Anray Communication Technology CO.,LTD

Anray131310182DA01

GPS+GSM Active Combination Antenna

- 1575.42±1MHz
824~960MHZ/1710~1990MHZ;
1920~2170MHZ Band Antenna



Specifications

• GPS ANT

Frequency Band	1590±25 MHz
VSWR	≤1.5
Gain	3±0.5 dBi
Polarization	RHCP
Impedance	50Ω
Cable	Black/RG174/3000mm

• LNA

LNA Gain	28±2 dB
Noise Figure	<1.5 dB
Ex-band Attenuation	12 dB Min f0+50MHZ 16 dB Min f0-50MHZ
DC Voltage	2.2~5V
DC Current	5~15mA

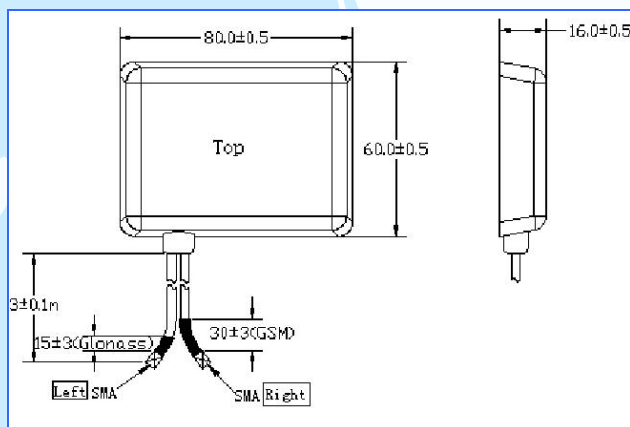
• GSM ANT

Frequency Band	824~960MHZ 1710~1990MHZ 1920~2170MHZ
VSWR	≤2
Gain	0±2dBi
Polarization	Linear
Impedance	50Ω
Cable	Black/RG174/3000mm

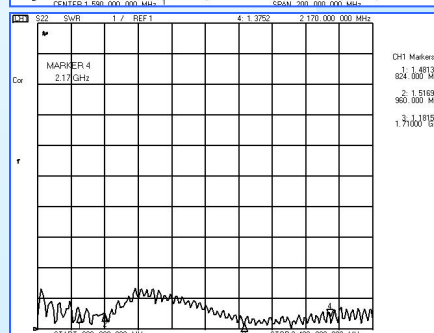
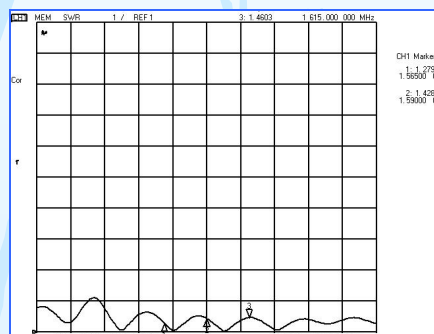
• Mechanical

Connector	SMA straight male
Radome Material	ABS
Weight	138±8g
Storage Temperature	-30~+70°C
Waterproof	IP67
Vibration	10 to 55Hz with 1.5mm amplitude 2 hours
Mounted Type	Magnetic/Adhesive

• Dimensions(Unit:mm)



GPS



GSM

ADD:No.7 JinGuang Road, Kai Xuan Street, Fang Shan District, BeiJing, China

TEL:+86-10-83682678

FAX:+86-10-83681855

Email:sales @anray.com.cn