

Anray Communication Technology CO.,LTD

Anray180830242BA01

BD+GPS+GLONASS Active Antenna

Specifications

• Electrical spec.

Frequency Band	BD:1561.09 ±2MHz GPS:1575.42 ±1MHz GLONASS:1602.56 ±4MHz
V.S.W.R	< 2.0
Peak Gain	BD+GLONASS >0 dBi GPS: > 2.0dBi
Polarization	RHCP/LHCP
Impedance	50 Ω (Nominal)
Cable	RG174/ Black
Cable length	5M/Other

• LNA spec.

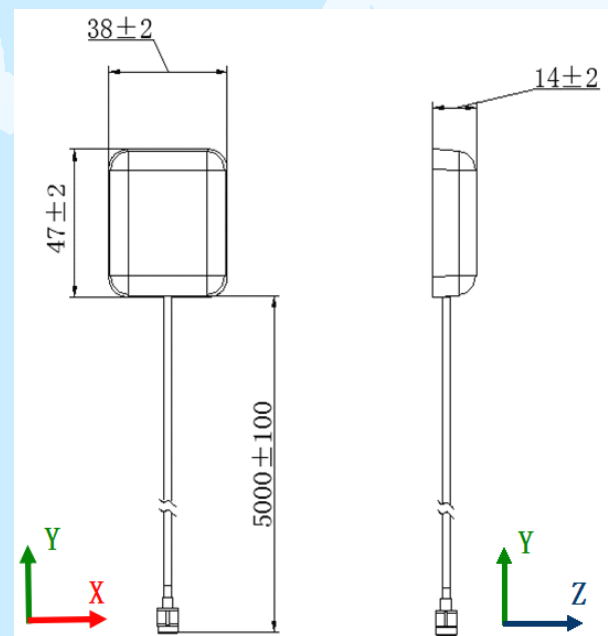
LNA Gain	28 ±2 dBi
Noise Figure	<1.5 dB
Ex-band Attenuation	12 dB Min f0+50MHZ 16 dB Min f0-50MHZ
V.S.W.R	<1.5
DC Voltage	3.3 V/5V

• Mechanical spec.

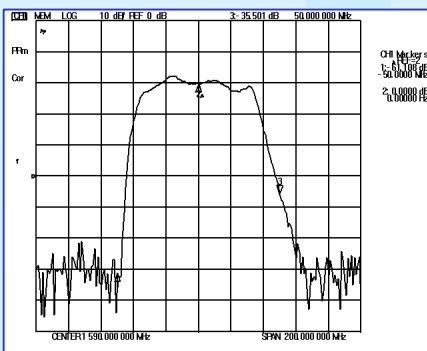
Connector	SMA straight male
Radome Material	ABS
Operation Temperature	-40~+85 °C
Waterproof	IP57
Vibration	30 to 55Hz with 0.19mm amplitude 10 minutes
Mounting Method	Magnetic



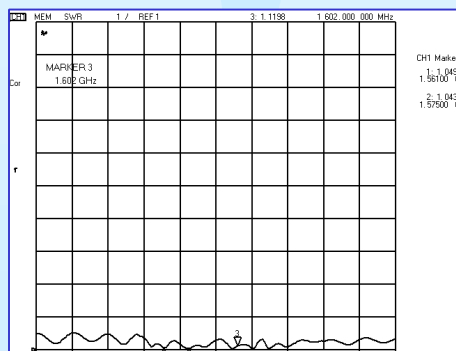
• Dimensions (Unit: mm)



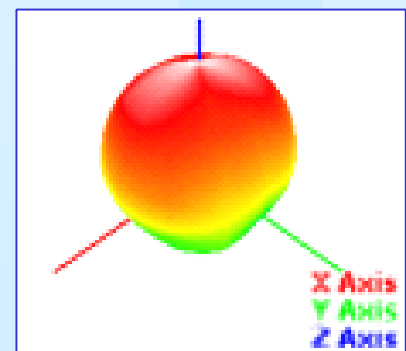
Out of Band Rejection



VSWR



BD+GPS+GLONASS



ADD:No.7 JinGuang Road, Kai Xuan Street, Fang Shan District, BeiJing, China

TEL:+86-10-83682678

FAX:+86-10-83681855

Email:sales @anray.com.cn