

# Anray Communication Technology CO.,LTD

Anray170830151GA01

## GPS+GLONASS Passive Antenna

- 1590 ± 20 MHz Band Antenna



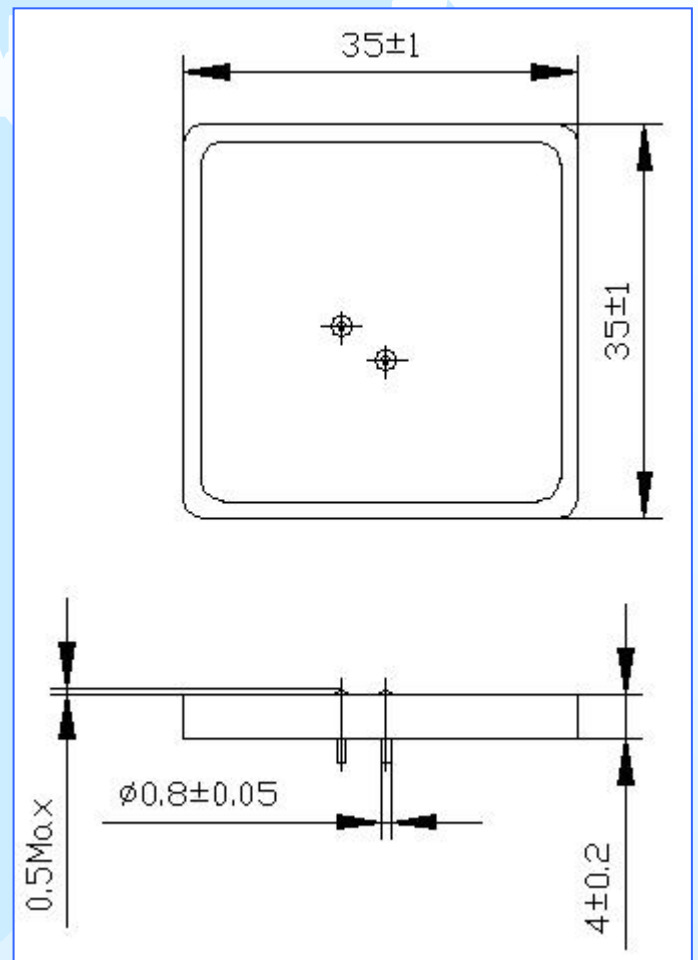
### • Specifications

- Frequency Band 1590 ± 20 MHz
- V.S.W.R < 2.0
- Gain (Max) 3.0dBi
- Polarization RHCP
- Impedance 50Ω

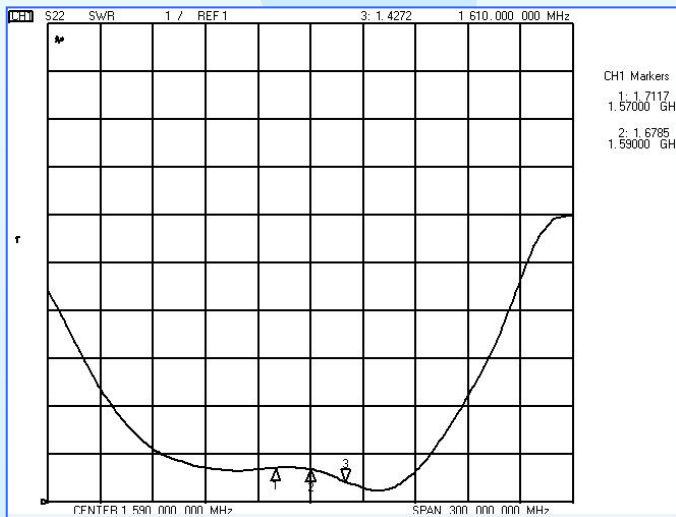
### • Mechanical

- Material Ceramic
- Operation Temperature -40~+85°C
- Vibration 10 to 55Hz with 1.5mm amplitude 2 hours
- Ground Plane Size 50\*50mm

### • Dimensions (Unit: mm)



### VSWR



ADD:No.7 JinGuang Road, Kai Xuan Street, Fang Shan District, BeiJing, China

TEL:+86-10-83682678

FAX:+86-10-83681855

Email:sales @anray.com.cn

# Anray Communication Technology CO.,LTD

Anray170830251GB02

## GPS+GLONASS Passive Antenna

- 1590±20 MHz Band Antenna

### • Specifications

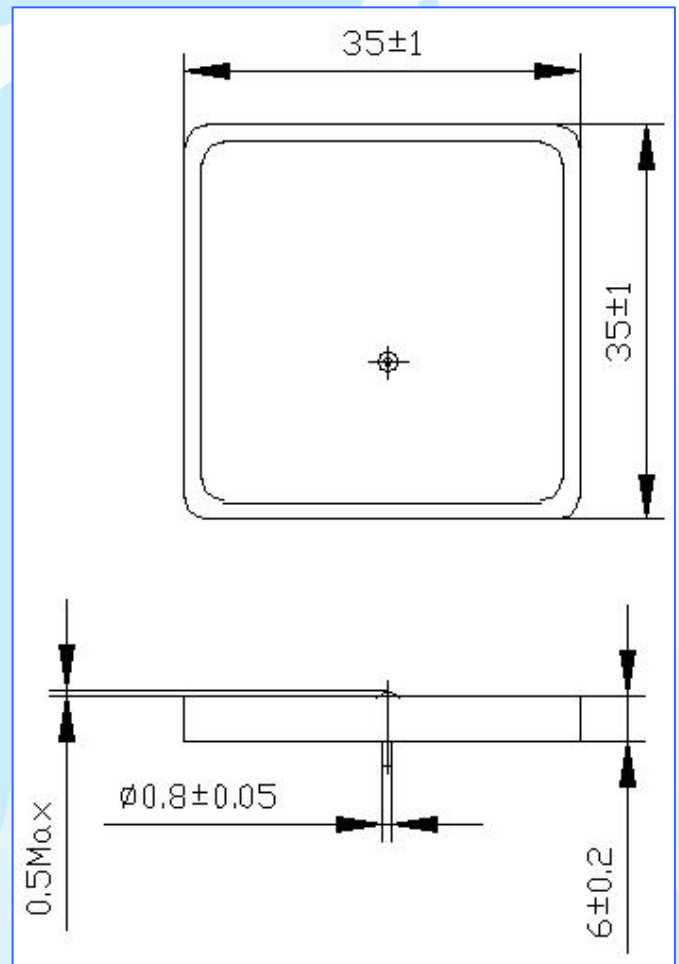
- Frequency Band 1590±20 MHz
- V.S.W.R <2.0
- Gain (Max) 3.0dBi
- Polarization RHCP
- Impedance 50Ω



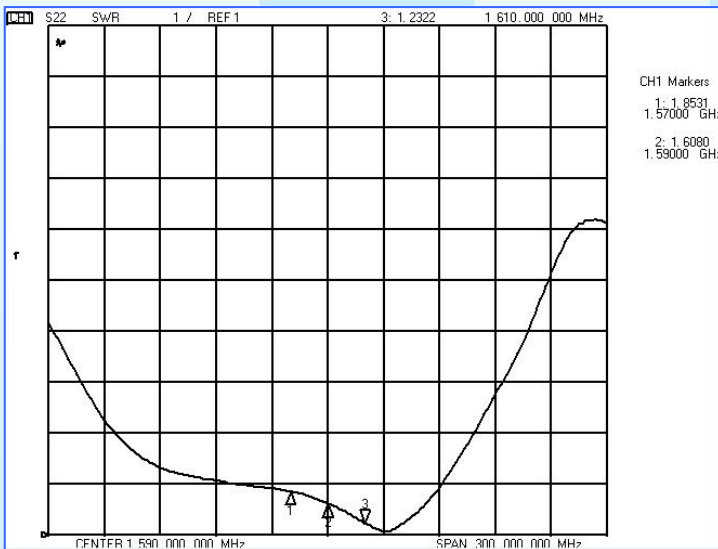
### • Mechanical

- Material Ceramic
- Operation Temperature -40~+85°C
- Vibration 10 to 55Hz with 1.5mm amplitude 2 hours
- Ground Plane Size 50\*50mm

### • Dimensions (Unit: mm)



### VSWR



ADD:No.7 JinGuang Road, Kai Xuan Street, Fang Shan District, BeiJing, China

TEL:+86-10-83682678

FAX:+86-10-83681855

Email:sales@anray.com.cn

# Anray Communication Technology CO.,LTD

Anray170830351GC03

## GPS Passive Antenna

- 1575.42 ± 3 MHz Band Antenna



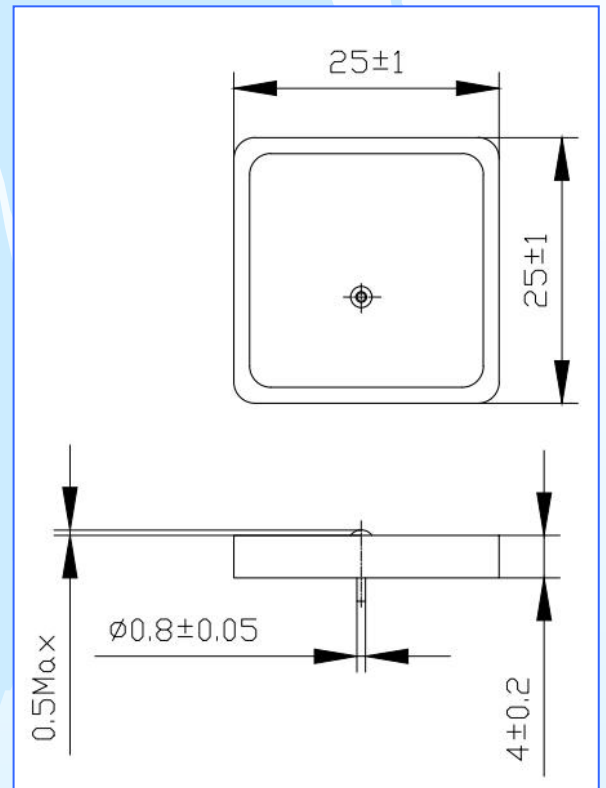
## Specifications

- Frequency Band 1575.42 ± 3 MHz
- V.S.W.R < 2.0
- Gain (Max) 3.5dBi
- Polarization RHCP
- Impedance 50Ω

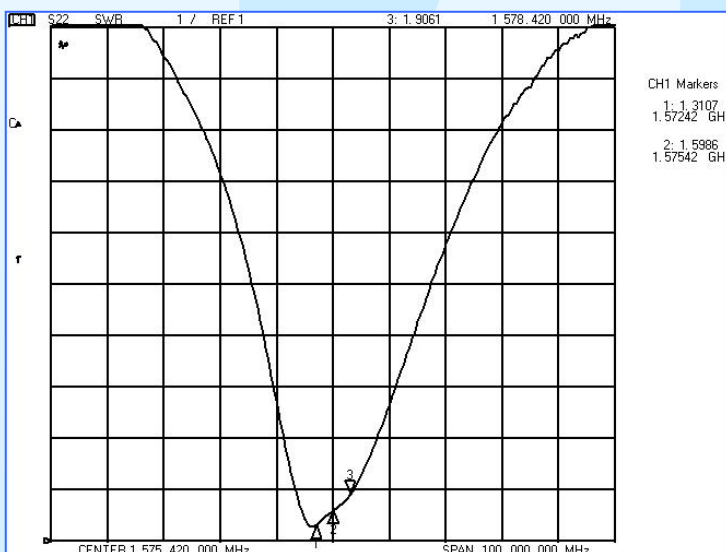
## Mechanical

- Material Ceramic
- Operation Temperature -40~+85°C
- Vibration 10 to 55Hz with 1.5mm amplitude 2 hours
- Ground Plane Size 70\*70mm

## Dimensions (Unit: mm)



## VSWR



ADD:No.7 JinGuang Road, Kai Xuan Street, Fang Shan District, BeiJing, China

TEL:+86-10-83682678

FAX:+86-10-83681855

Email:sales @anray.com.cn

# Anray Communication Technology CO.,LTD

Anray170830451GD04

## GPS Passive Antenna

- 1575.42 ± 3 MHz Band Antenna



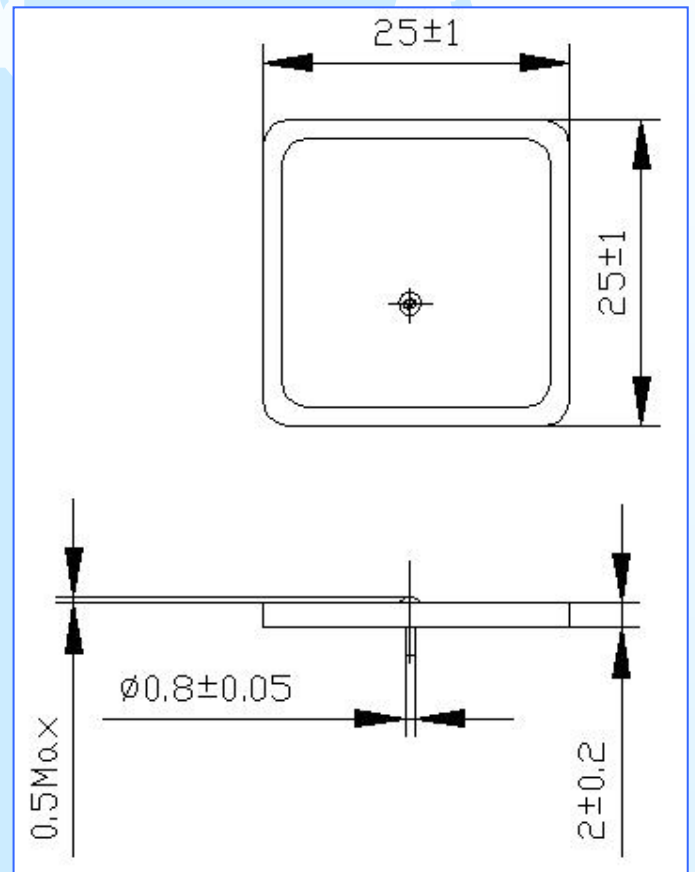
### Specifications

- Frequency Band 1575.42 ± 3 MHz
- V.S.W.R < 2.0
- Gain (Max) 3.5dBi
- Polarization RHCP
- Impedance 50Ω

### Dimensions (Unit: mm)

### Mechanical

- Material Ceramic
- Operation Temperature -40~+85°C
- Vibration 10 to 55Hz with 1.5mm amplitude 2 hours
- Ground Plane Size 70\*70mm



### VSWR



ADD:No.7 JinGuang Road, Kai Xuan Street, Fang Shan District, BeiJing, China

TEL:+86-10-83682678

FAX:+86-10-83681855

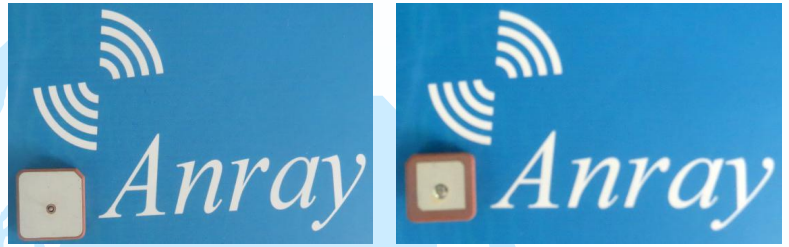
Email:sales @anray.com.cn

# Anray Communication Technology CO.,LTD

Anray170830551GE05

## GPS Passive Antenna

- 1575.42 ± 3 MHz Band Antenna



### Specifications

- Frequency Band 1575.42 ± 3

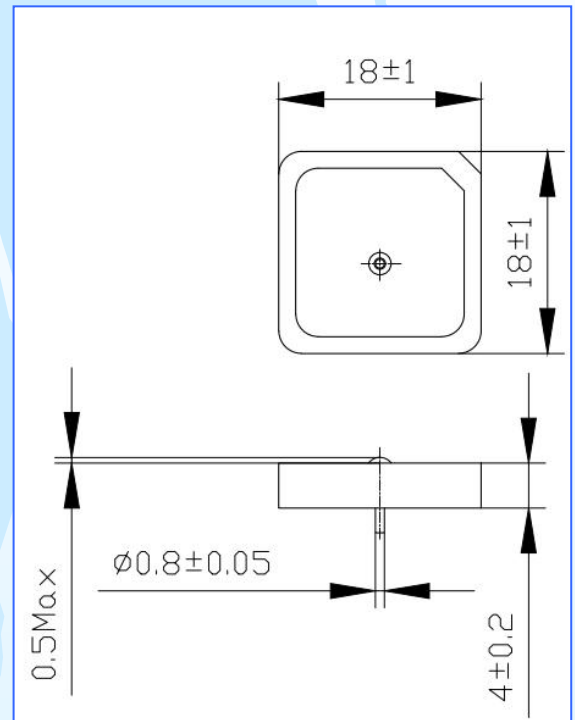
MHz

- V.S.W.R <2.0
- Gain (Max) 2.0dBi
- Polarization RHCP
- Impedance 50Ω

### Mechanical

- Material Ceramic
- Operation Temperature -40~+85°C
- Vibration 10 to 55Hz with 1.5mm amplitude 2 hours
- Ground Plane Size 40\*40mm

### Dimensions (Unit: mm)



## VSWR



ADD:No.7 JinGuang Road, Kai Xuan Street, Fang Shan District, BeiJing, China

TEL:+86-10-83682678

FAX:+86-10-83681855

Email:sales @anray.com.cn