

# Anray Communication Technology CO.,LTD

Anray131220765BA01

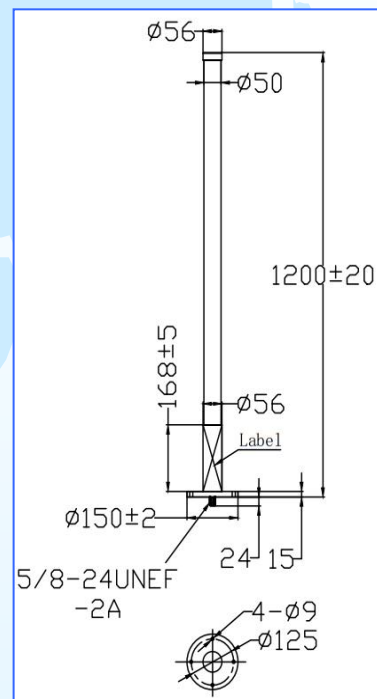
## 380~450MHz Antenna

- **Cover:** Aluminium alloy/FRP/Other
- **Specifications**

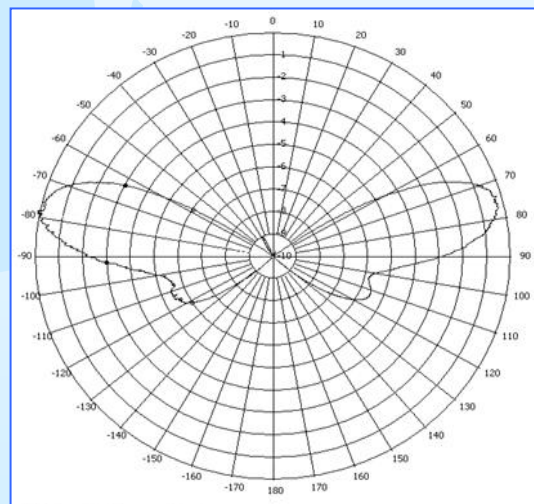
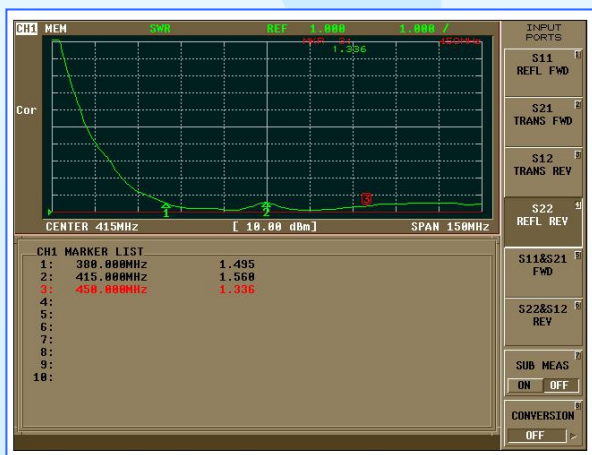
- Frequency Band 380~450MHz
- VSWR <2.0
- Gain  $\geq 4.5$  dBi
- Polarization Linear
- Impedance 50 Ohm nominal
- Radiation Pattern Omni
- Admitted Power(Max.) 50W
- Connector N-Female/Other
- Weight  $2020 \pm 100$ g
- Storage Temperature  $-40^{\circ} \sim +85^{\circ} \text{ C}$



## • Dimensions (Unit: mm)



## VSWR



ADD:No.7 JinGuang Road, Kai Xuan Street, Fang Shan District, BeiJing, China

TEL:+86-10-83682678

FAX:+86-10-83681855

Email:sales@anray.com.cn