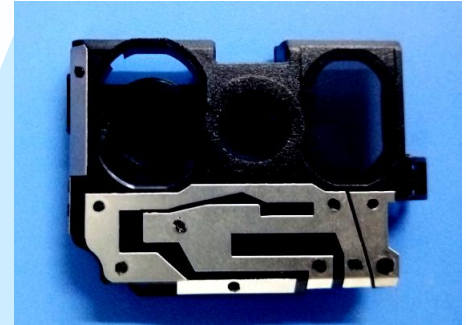


# Anray Communication Technology CO.,LTD

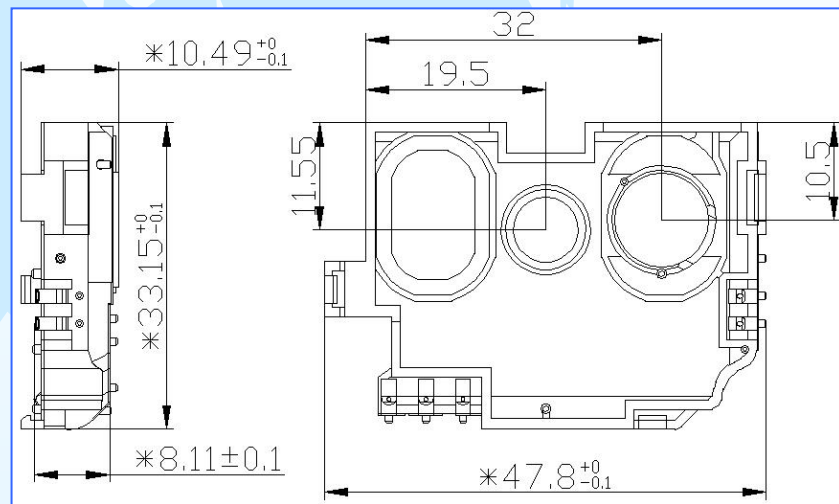
## Anray239599PA01



### • Specifications

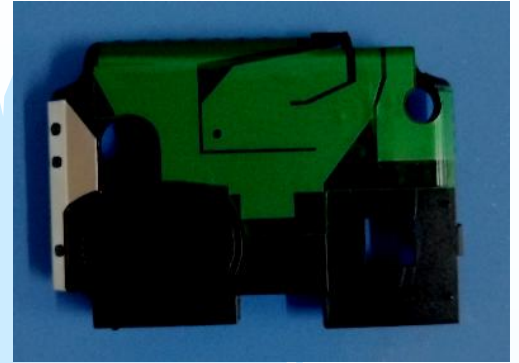
- Frequency Band 880-960MHz  
1710-1890MHz  
1850-1990MHz
- VSWR  $\leq 3.0$
- Gain With Set(Max.) 3dBi
- Polarization Linear
- Impedance 50 Ohm nominal
- Power Input(Max) 3W
- Material Holder+Metal
- Storage Temperature  $-30^{\circ} \sim +70^{\circ} \text{ C}$

### • Dimensions (Unit: mm)



# Anray Communication Technology CO.,LTD

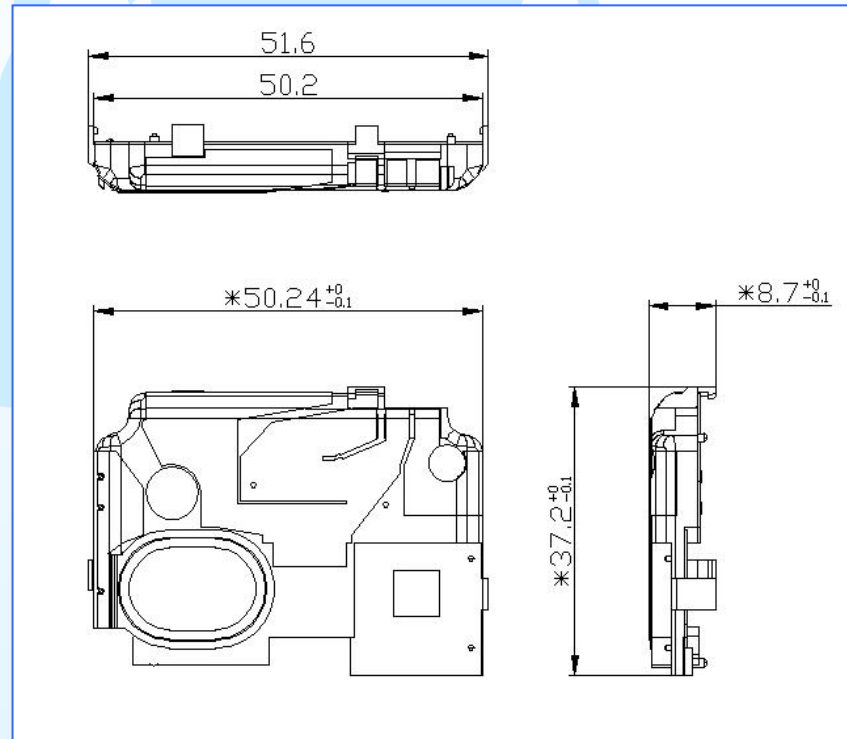
## Anray239699PA01



### • Specifications

- Frequency Band 880-960;1710-1890;  
1850-1990MHz
- VSWR  $\leq 3.0$
- Gain With SET(Max.) 3dBi
- Polarization Linear
- Impedance 50 Ohm nominal
- Power Input(Max) 3W
- Material Holder+Metal
- Storage Temperature  $-30^{\circ} \sim +70^{\circ} \text{ C}$

### • Dimensions (Unit: mm)



# Anray Communication Technology CO.,LTD

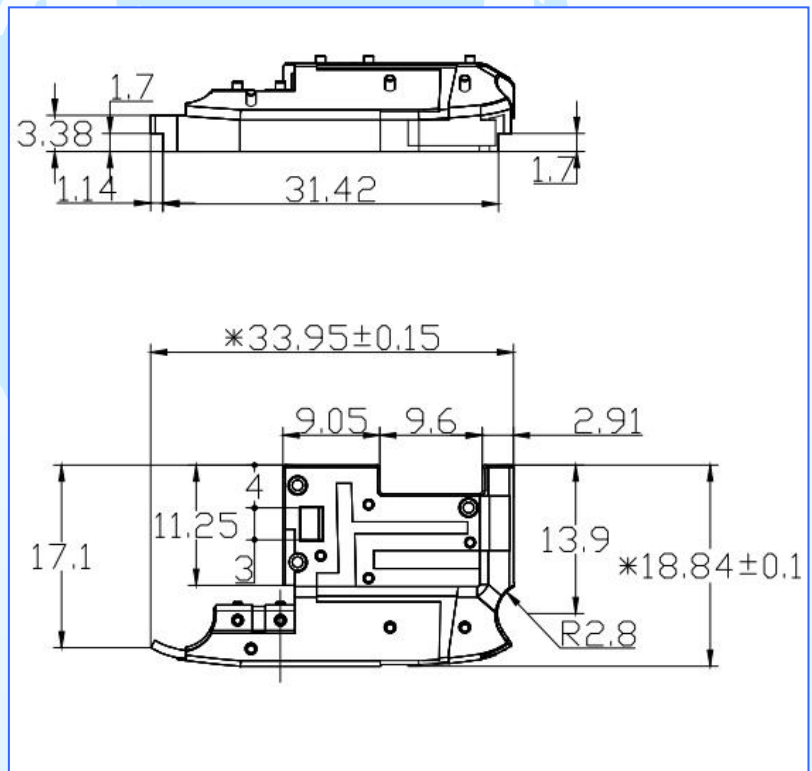
Anray100232799DA01



## • Specifications

- Frequency Band 880-960MHz  
1710-1880MHz
- VSWR  $\leq 3.0$
- Gain with set(Max.) 3dBi
- Polarization Linear
- Impedance 50 Ohm nominal
- Power Input(Max) 3W
- Material Holder+Metal
- Storage Temperature  $-30^{\circ} \sim +70^{\circ} \text{ C}$

## • Dimensions (Unit: mm)



ADD:No.7 JinGuang Road, Kai Xuan Street, Fang Shan District, BeiJing, China

TEL:+86-10-83682678

FAX:+86-10-83681855

Email:sales @anray.com.cn

# Anray Communication Technology CO.,LTD

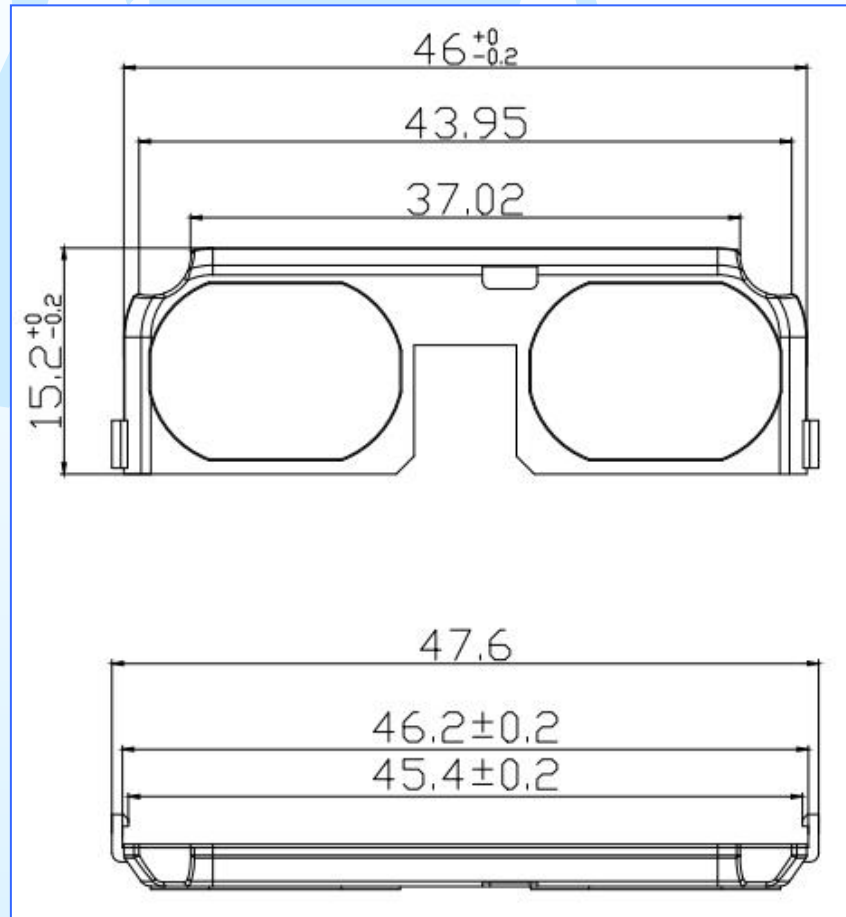
Anray110230599DA02



## • Specifications

- Frequency Band 880-960MHz  
1710-1880MHz
- VSWR  $\leq 3.0$
- Gain (Max.) With SET 3dBi
- Polarization Linear
- Impedance 50 Ohm nominal
- Power Input(Max) 3W
- Material Holder+Metal
- Storage Temperature  $-30^{\circ} \sim +70^{\circ} \text{ C}$

## • Dimensions (Unit: mm)



ADD:No.7 JinGuang Road, Kai Xuan Street, Fang Shan District, BeiJing, China

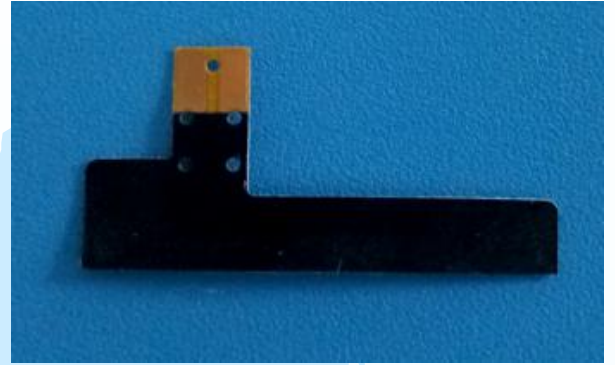
TEL:+86-10-83682678

FAX:+86-10-83681855

Email:sales @anray.com.cn

# Anray Communication Technology CO.,LTD

## Anray130230299DB01



### • Specifications

- Frequency Band 2400-2500MHz
- VSWR  $\leq 3.0$
- Gain With set(Max.) 3dBi
- Polarization Linear
- Impedance 50 Ohm nominal
- Power Inter (Max) 3w
- Material FPC(0.18mm)
- Color Black/other
- Storage Temperature  $-30^{\circ} \sim +70^{\circ} \text{ C}$

### • Dimensions (Unit: mm)

