

# Anray Communication Technology CO.,LTD

Anray181550202BB02

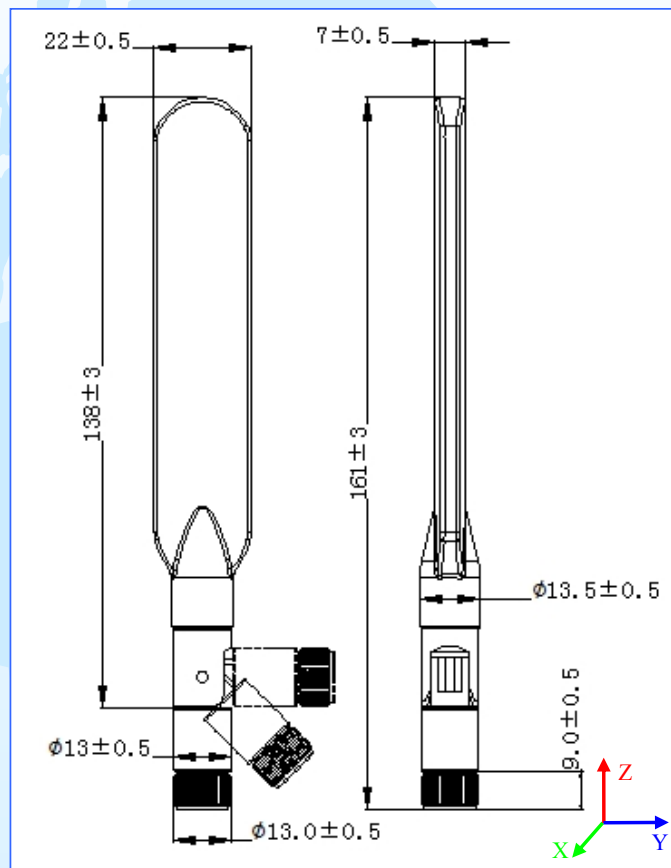
## 4GHz SMA Type Antenna

• Cover: ABS/Other

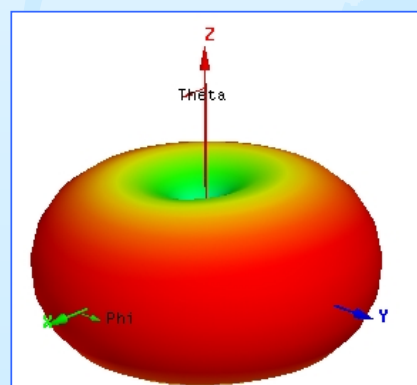
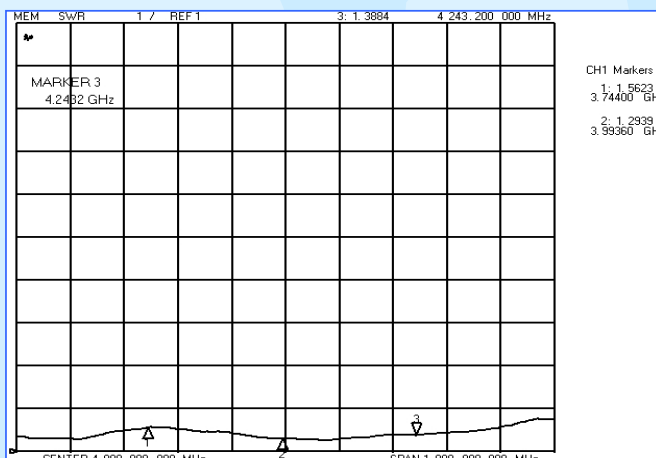
### • Specifications

- Centre Frequency 3993.6MHz
- Band width 499.2MHz
- VSWR  $\leq 2.0$
- Gain(Max)  $> 3.0\text{dBi}$
- Cover colour Black
- Polarization Vertical
- Radiation Pattern Omni-Directional
- Impedance 50 Ohm nominal
- Admitted Power(Max.) 5W
- Connector SMA
- Storage Temperature  $-30^{\circ}\sim +70^{\circ}\text{C}$

### • Dimensions (Unit: mm)



### VSWR



3993.6MHz

ADD:No.7 JinGuang Road, Kai Xuan Street, Fang Shan District, BeiJing, China

TEL:+86-10-83682678

FAX:+86-10-83681855

Email:sales@anray.com.cn