



# Anray Communication Technology CO.,LTD

## 2.4GHz&5GHz &6GHz Antenna

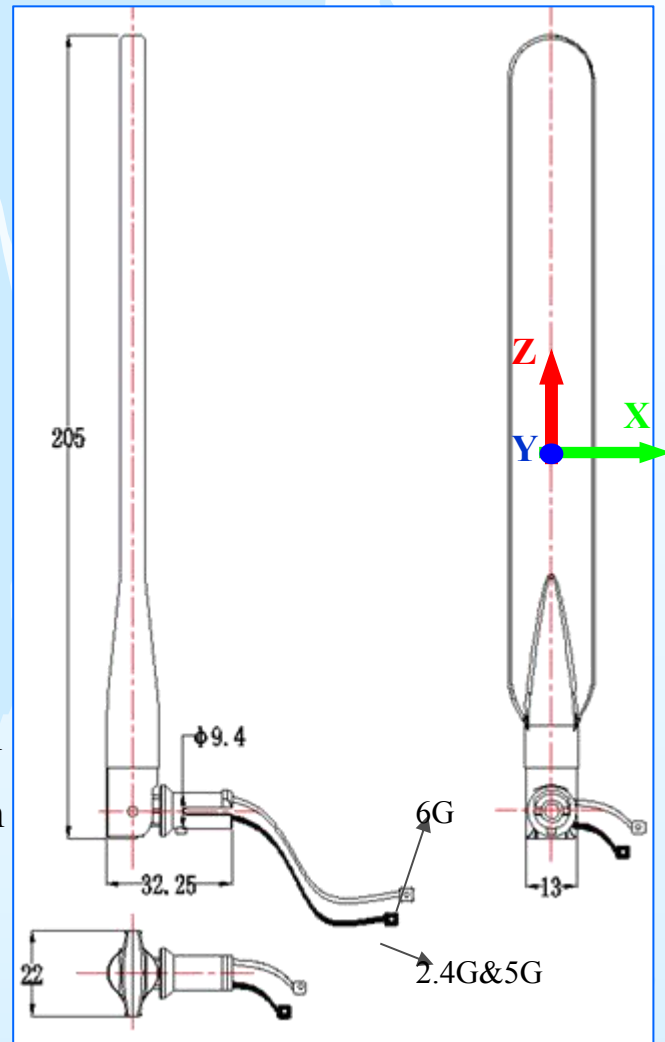
Anray201461403BA01

### • Specifications

•Frequency Band	2400MHz~2483.5MHz 5150MHz~5850MHz 5925MHz~7125MHz
•VSWR	<2.0
•Gain(Max)	2400MHz~2483.5MHz 4dBi(Typical) 5150MHz~5850MHz 6dBi(Typical) 5915MHz~7125MHz 6dBi(Typical)
•Polarization	Linear
•Impedance	50 Ω(Nominal)
•Admitted Power(Max)	5W
•Connector	2*IPEX
•Cover material	ABS
•Antenna Color	White/Othre
•2.4G&5G Cable	ø1.13/Black/100mm
•6G Cable	ø1.13 /Gray/150mm
•Storage Temperature	-30° ~ +70° C

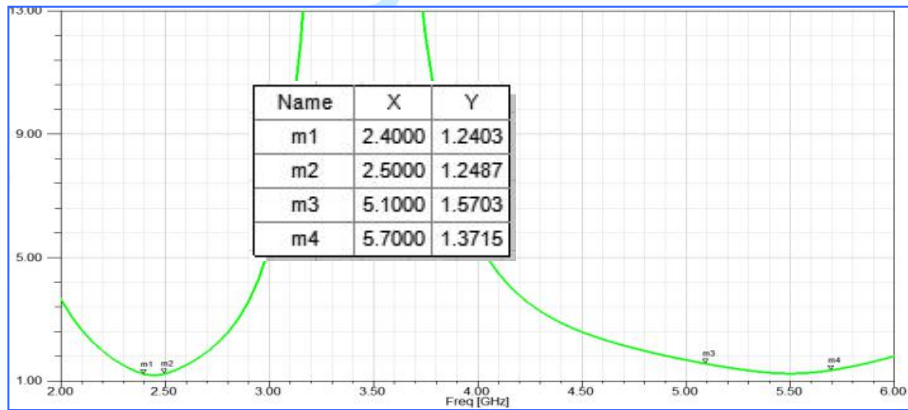


### • Dimensions (Unit: mm)

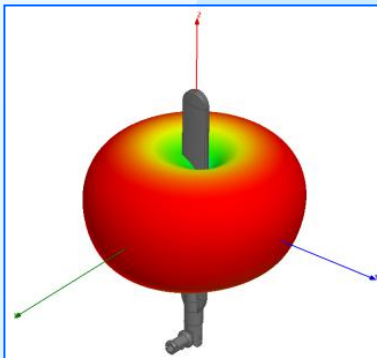
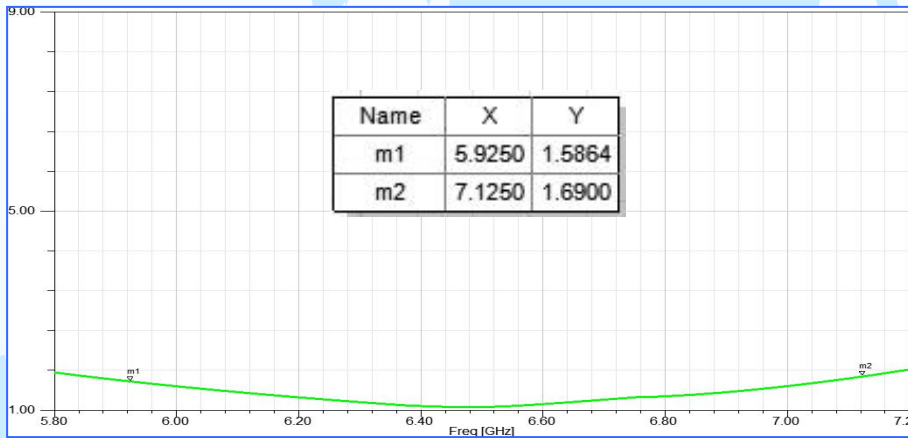


Note: Cable length&color can according to customer's requirement.

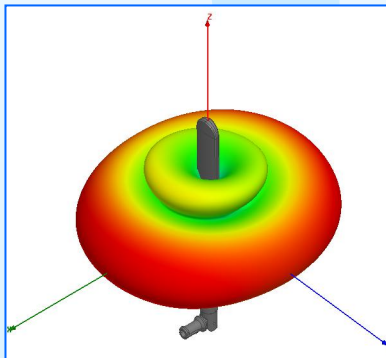
**2.4G/5G  
VSWR**



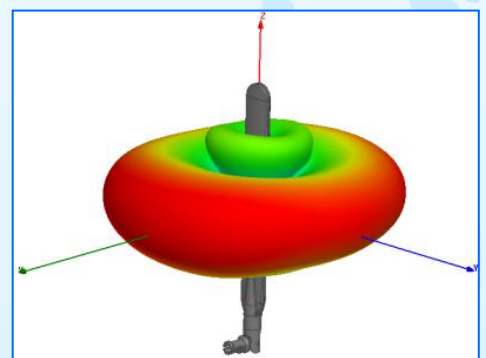
**6G  
VSWR**



**2.44GHz**



**5.55GHz**



**6.55GHz**