



# Anray Communication Technology CO.,LTD

## LTE Band Antenna (SMA)

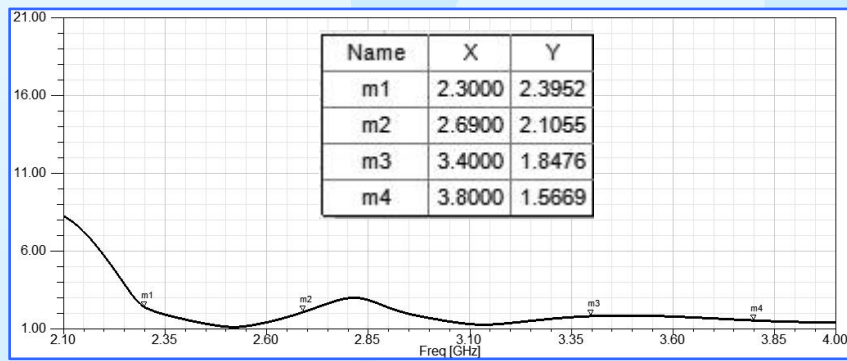
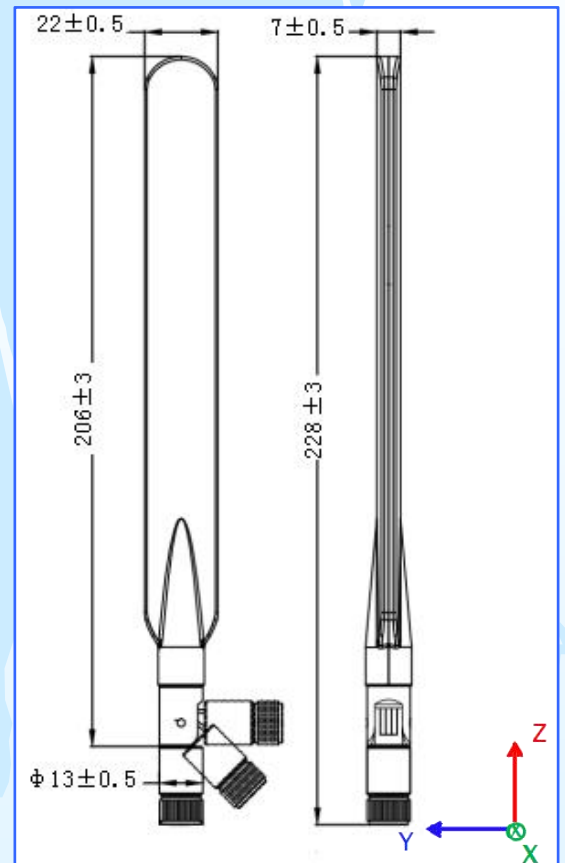
Anray201392406BB02

### • Specifications

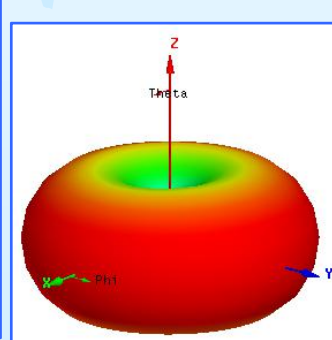
- Frequency Band 2300~2690MHz  
3400~3800MHz
- VSWR <2.8
- Gain(Max)  
Band 7/38/40/41 6dBi (Typical)  
Band 42/43 7dBi (Typical)
- Polarization Linear
- Impedance 50 Ω (Nominal)
- Admitted Power(Max.) 5W
- Size 228\*22\*7mm
- Connector SMA-Male
- Cover material ABS
- Antenna Color Black
- Storage Temperature -30° ~ +70° C



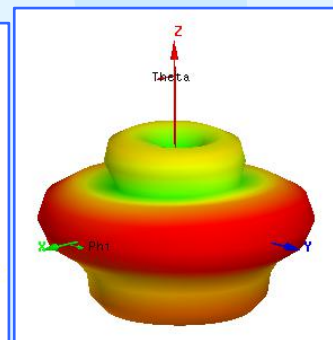
### • Dimensions (Unit: mm)



VSWR



2.4GHz



3.6GHz