



# Anray Communication Technology CO.,LTD

## B1/L1& L&S Band Active Antenna

## Anray180280754FA01



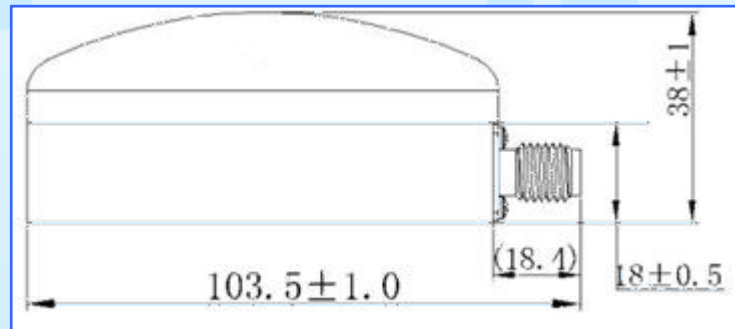
### • Antenna Spec

Item	Spec		
	B1/L1	L(TX)	S(RX)
Frequency Band	1561.1±2.046MHz 1575.42±1.023MHz	1615.68±4.08MHz	2491.75±4.08MHz
Impedance	50 Ω (Nominal)		
VSWR	<2.0		
Peak Gain (90° )	≥2dBi	≥3dBi	≥3dBi
Elevation Gain (40° )	≥-3dBi	≥-2dBi	≥0dBi
Elevation Gain (20° )	/	≥-2.5dBi	≥-2.5dBi
Polarization	RHCP	LHCP	RHCP
Axis ratio	≤5dB	≤3dB	≤3dB
Isolation	≥15dB@L	≥25dB@L	/
Horizontal coverage	360°		

### • Mechanical Spec

Item	Spec
Antenna size	φ85.5*38mm
Antenna color	Green
Connector	TNC-K
Moutnted Type	Mangnet

### • Dimensions (Unit: mm)



ADD:No.7 JinGuang Road, Kai Xuan Street, Fang Shan District, BeiJing, China

TEL:+86-10-83682678

FAX:+86-10-83681855

Email:sales @anray.com.cn



# Anray Communication Technology CO.,LTD

## B1/L1& L&S Band Antenna

### • LNA Spec (B1)

Item	Spec
Gain	$38 \pm 2\text{dBi}$
Noise Factor	$\leq 2.0\text{dB}$
VSWR	$\leq 2.0$
Flatness In-band	$\pm 1\text{dB}$

### • PA Spec (L)

Item	Spec
Input Signal Power	$\leq -6\text{dBm}$
Power Gain	$\geq 42\text{dBi}$
Flatness In Band	$\leq 1\text{dB}$
Output P-1 power	$\geq 36\text{dBm}$

### • Electric appliance Spec

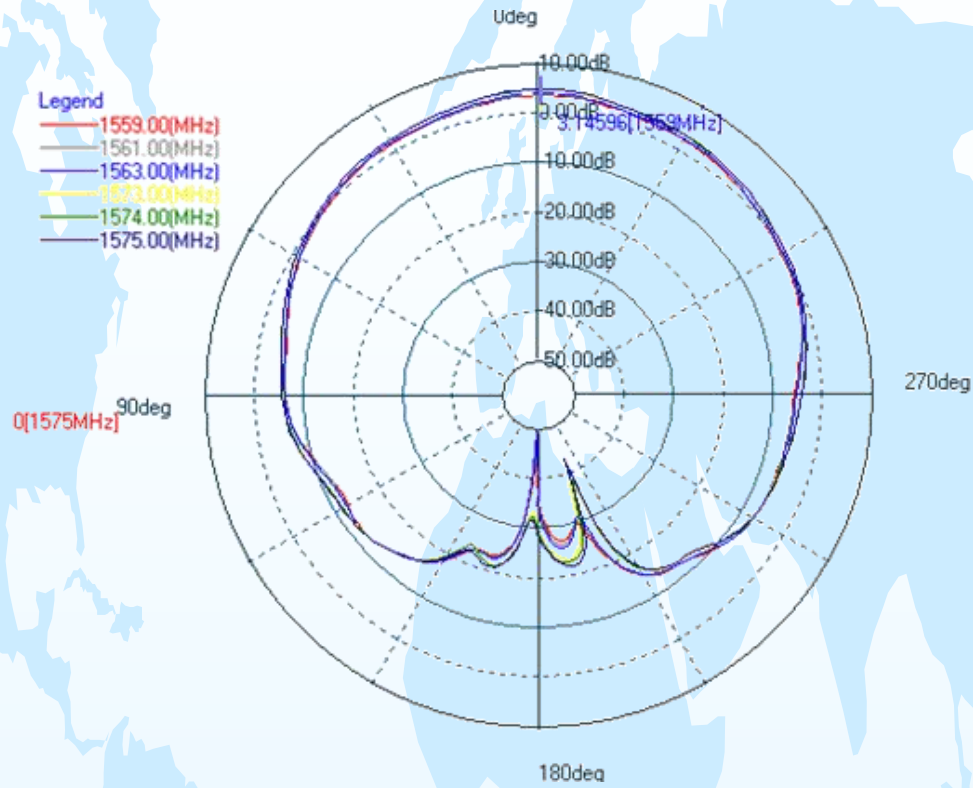
Item	Spec
Voltage	12V
Current	60mA

### • LNA Spec (S)

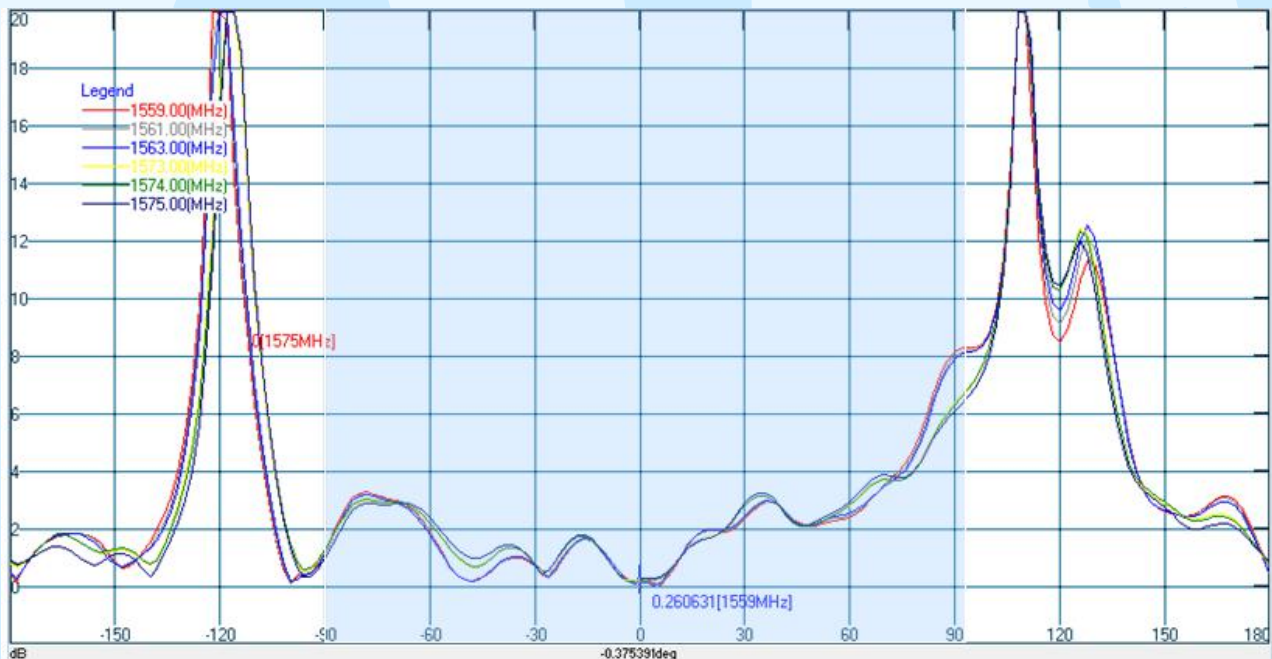
Item	Spec
Gain	$40 \pm 2\text{dBi}$
Noise Factor	$\leq 2.0\text{dB}$
VSWR	$\leq 2.0$
Gain Flatness In Band	$\pm 1\text{dB}$

•B1/L1

## E-Plane

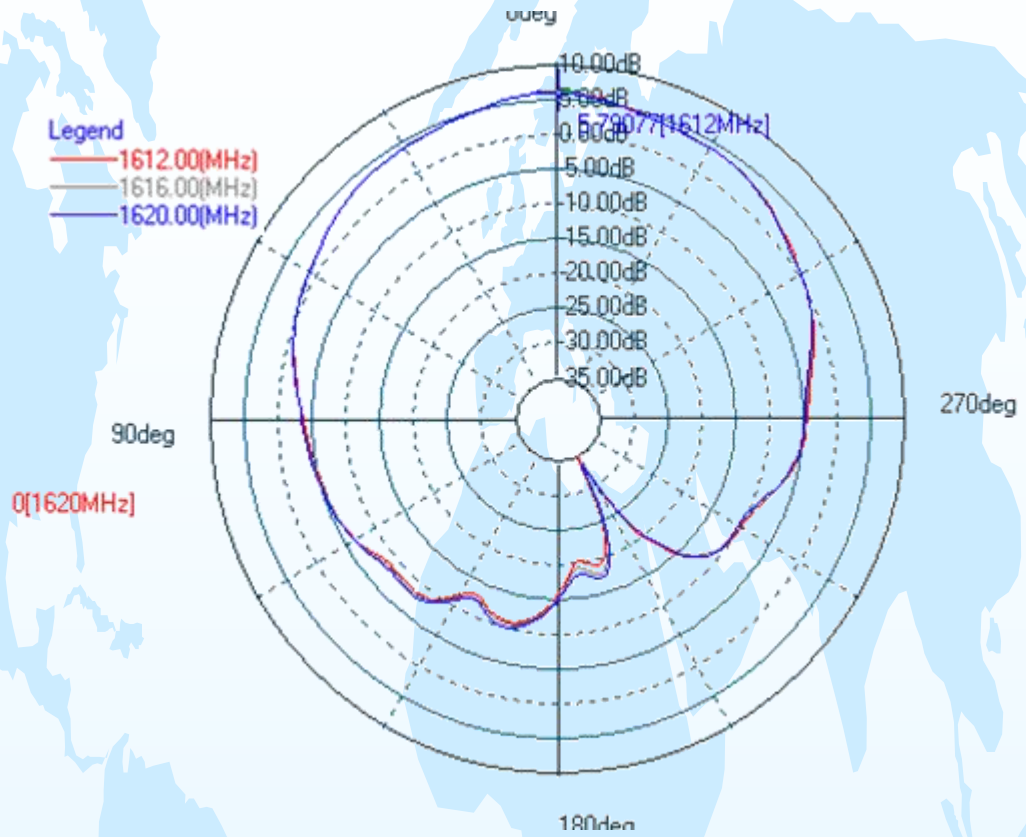


## Axis Ratio

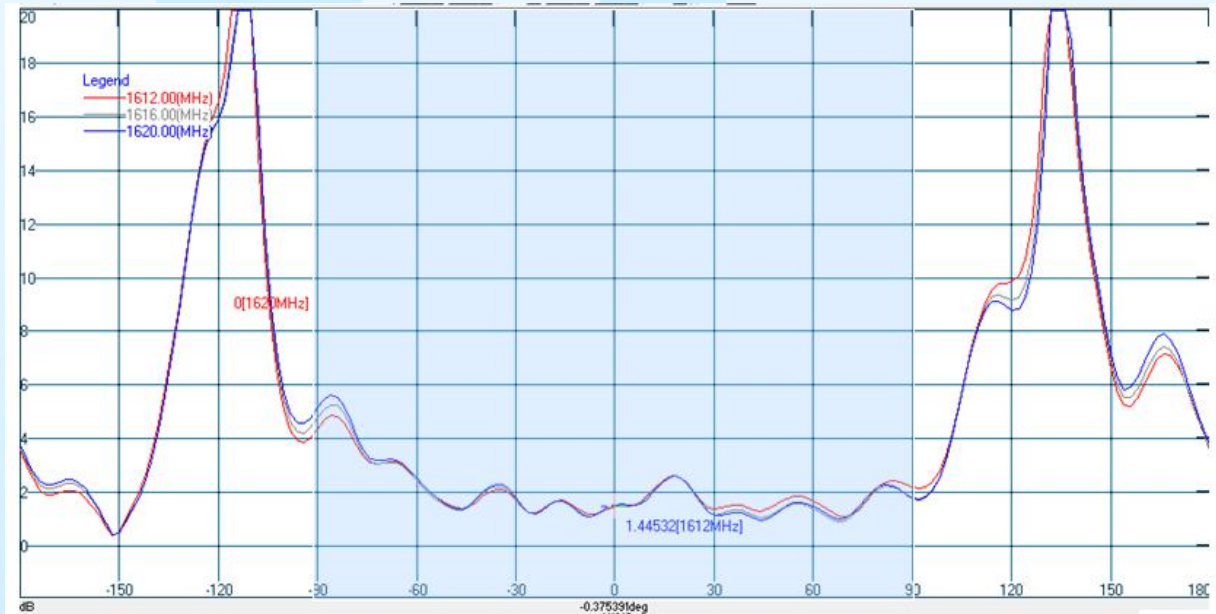


•L (TX)

## E-Plane

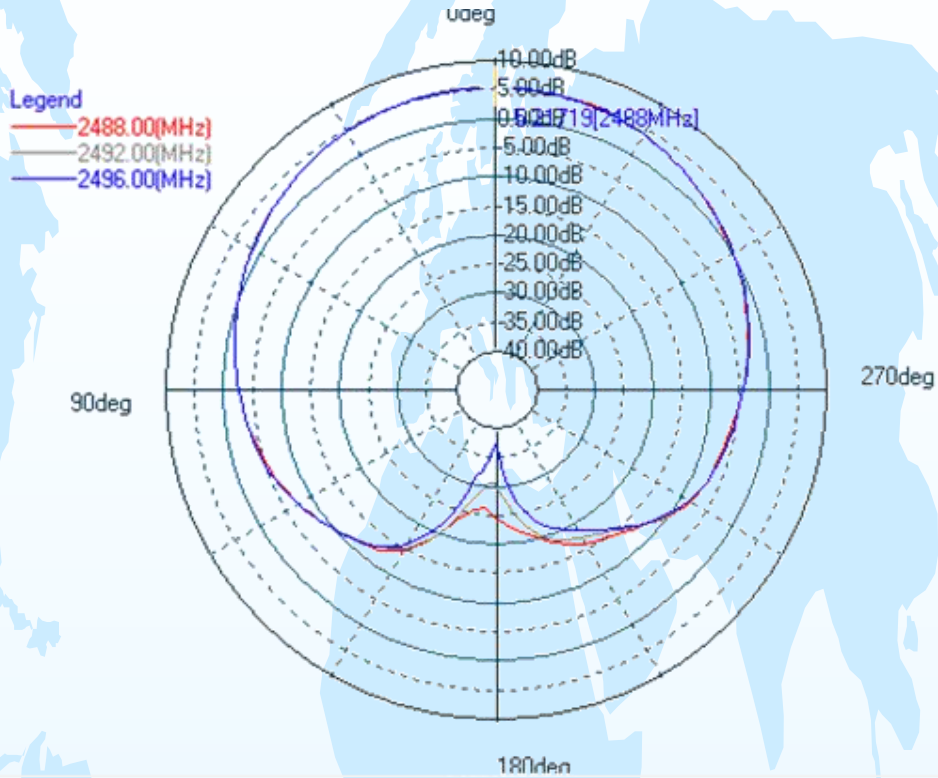


## Axis Ratio



•S (RX)

## E-Plane



## Axis Ratio

