

## 2.4G&5G Wifi Intenna

### • Specifications

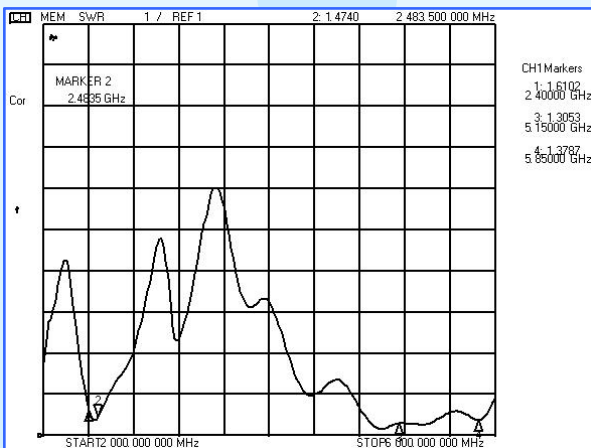
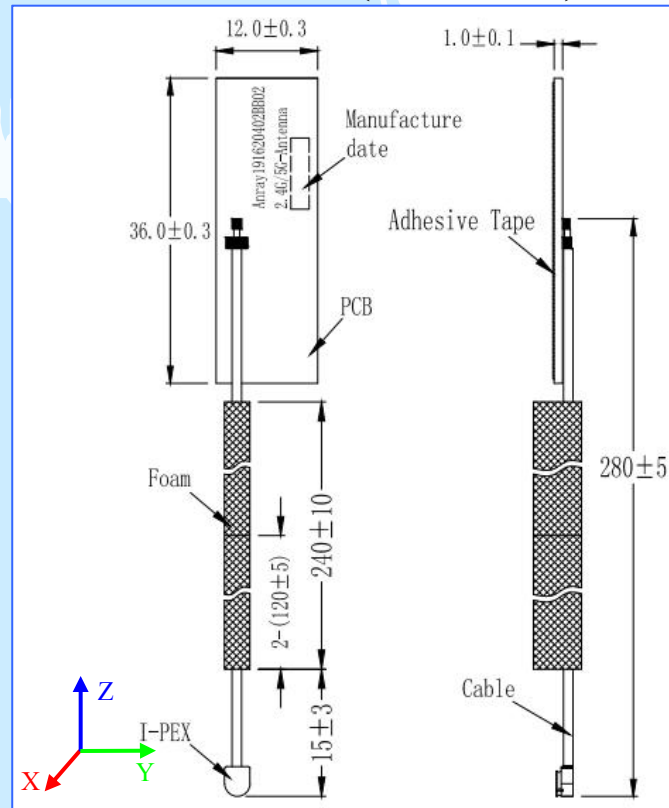
- **Frequency Band** 2400~2483.5MHz  
5150~5850MHz
- **VSWR (With SET)** <2.0
- **Antenna Consist**  
PCB+Cable+IPEX+Adhesive tape+Foam
- **Peak Gain (With SET)**  
2400~2483.5MHz 2.0 dBi(Typical)  
5150~5850 MHz 2.0dBi(Typical)
- **ESD Function** With
- **Polarization** Linear
- **Impedance** 50Ω (Nominal)
- **Admitted Power(Max)** 5W
- **Antenna Size** 36\*12\*1mm
- **Cable** Φ1.13/ 280mm/Black
- **Connector Type** IPEX-I
- **Mounted type** Adhesive onto case
- **Operating Temperature** -30~ +70° C

Note: Cable length&color can according to customer's requirement.

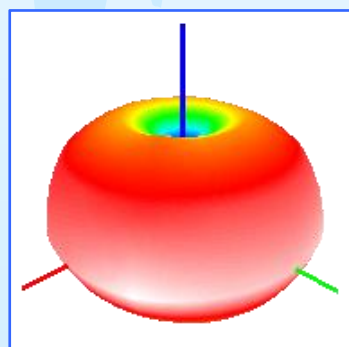
## Anray191620402BB02



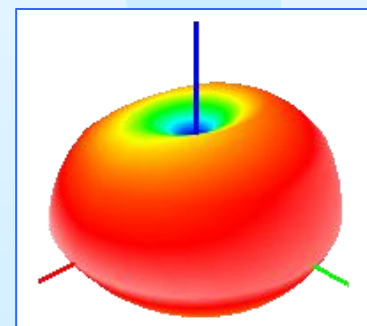
### Dimensions(Unit: mm)



### VSWR



### 2.44G



### 5.55G