



Anray Communication Technology CO.,LTD

Anray201550391BA01

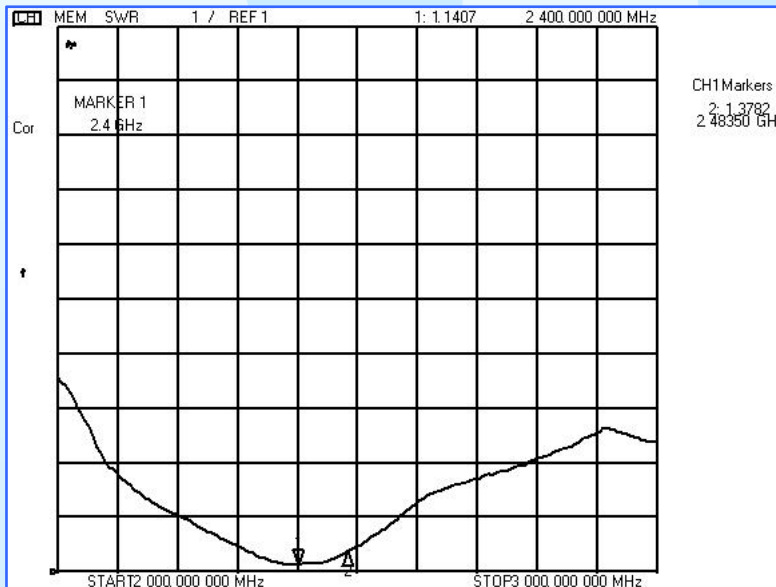
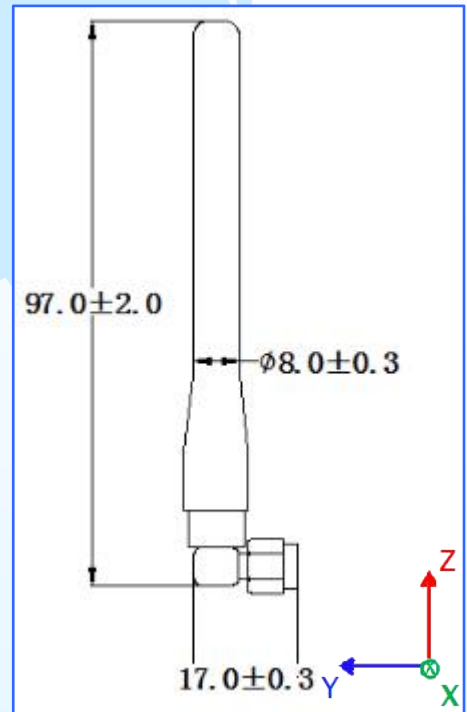
2.4GHz Antenna (SMA)

• Specifications

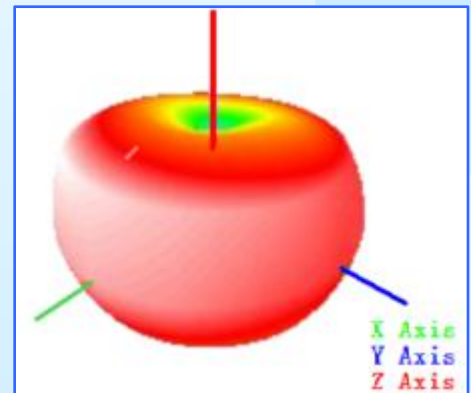
- Frequency Band 2400MHz~2483.5MHz
- VSWR <2.0
- Gain(Max) 2.0dBi(Typical)
- Polarization Linear
- Impedance 50 Ω (Nominal)
- Admitted Power(Max) 5W
- Size 97*17mm
- Connector SMA-Male
- Cover material TPEE
- Antenna Color Black
- Storage Temperature -30° ~ +70° C



• Dimensions (Unit: mm)



VSWR



2.44GHz