



Anray Communication Technology CO.,LTD

5925~7125MHz Outdoor Antenna (N-M)

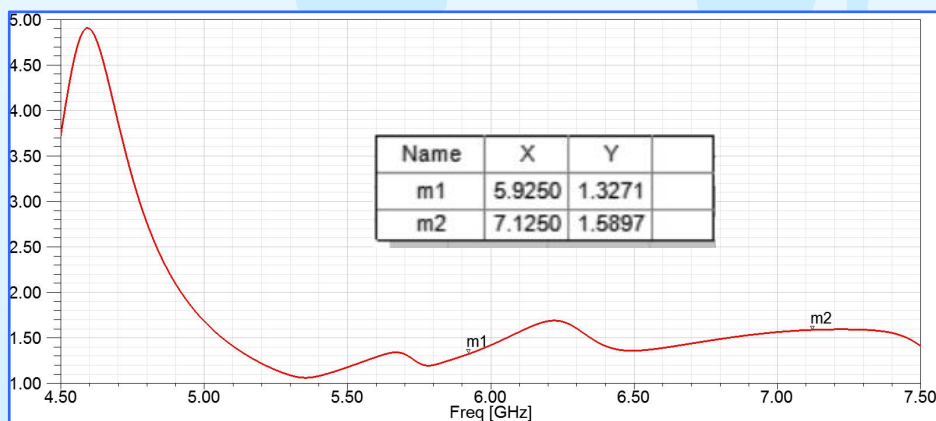
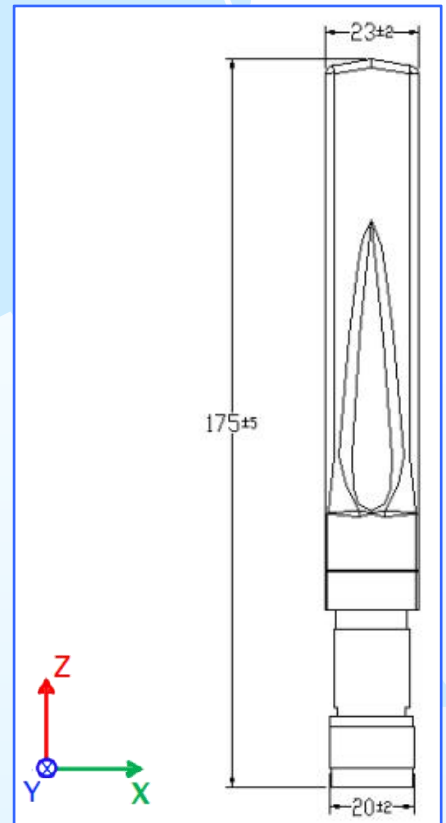
Anray201392500BA01

• Specifications

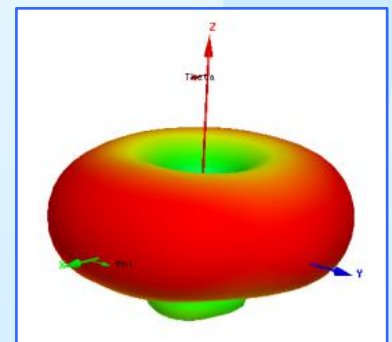
- Frequency Band 5925~7125MHz
- VSWR <2.0
- Gain(Max) 5925~7125MHz 6dBi(Typical)
- Polarization Vertical
- Radiation Pattern Omni-Directional
- Impedance 50 Ω (Nominal)
- Admitted Power(Max) 50W
- Antenna Size φ20*175mm
- Connector type N-Male/other
- Cover material ABS
- Cover Color White/other
- Storage Temperature -30° ~ +70° C
- Water proof IP57



• Dimensions (Unit: mm)



VSWR



6.5GHz