



Anray Communication Technology CO.,LTD

WIFI 2.4G/5G Mimo (2*2) Patch Antenna (N-F*2)

• Specifications

•Frequency Band & VSWR

2400~2483.5MHz < 1.8

5150~5850MHz < 2.0

•Gain_(Max) > 6dBi

•Beam width

2400~2483.5MHz H:100° ; V:60°

5150~5850MHz H:80° ; V:50°

•Isolation < -20dB

•Polarization Vertical

•Impedance 50 Ω (Nominal)

•Admitted Power_(Max) 100W

•Antenna Size 221*221*25mm

•Connector N-Female*2

•Water Proof IPX5

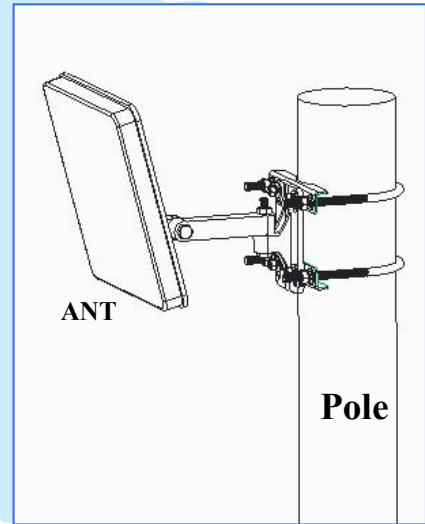
•Storage Temperature -40° ~ +60° C

•Mounted Type Wall or Pole (φ60~100mm)

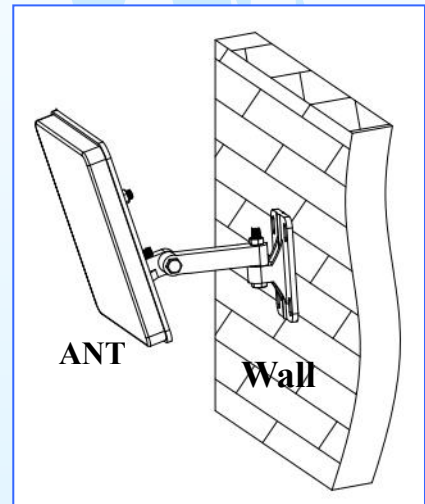
•Salt spray 48Hours (NSS)

Anray201461102HA01

Antenna onto pole:



Antenna onto wall:



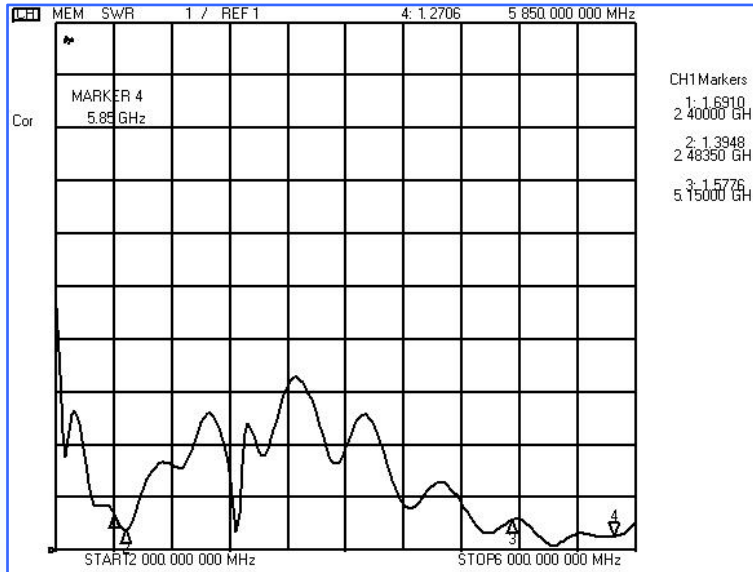
Port-1

Port-2

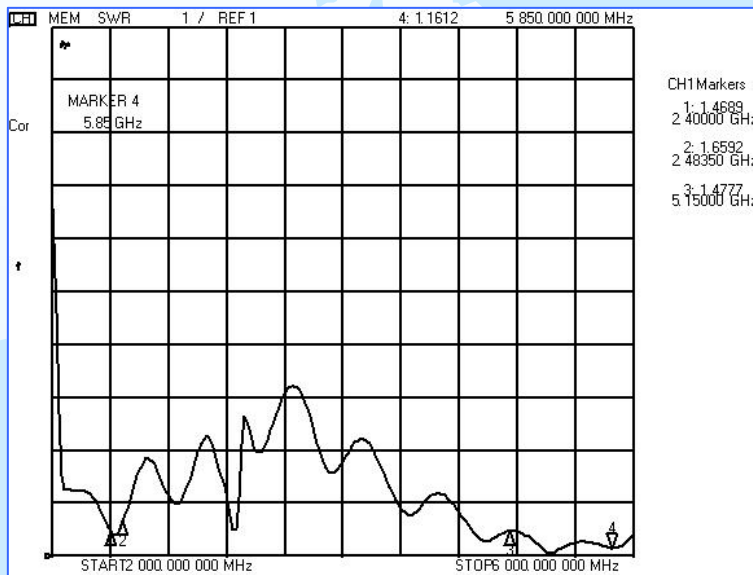


Anray Communication Technology CO.,LTD

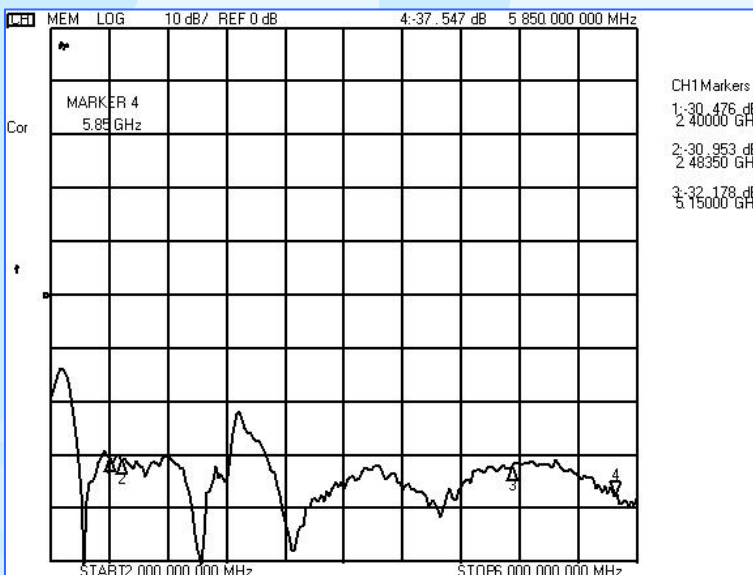
Port 1-VSWR



Port 2-VSWR

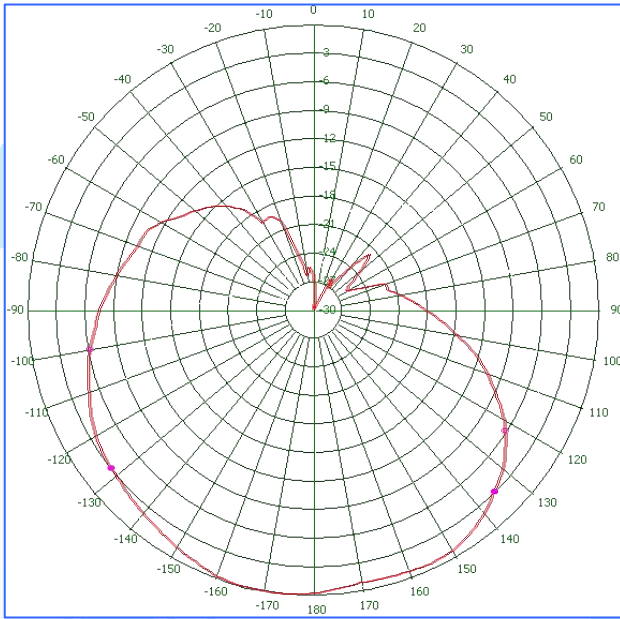


Isolation

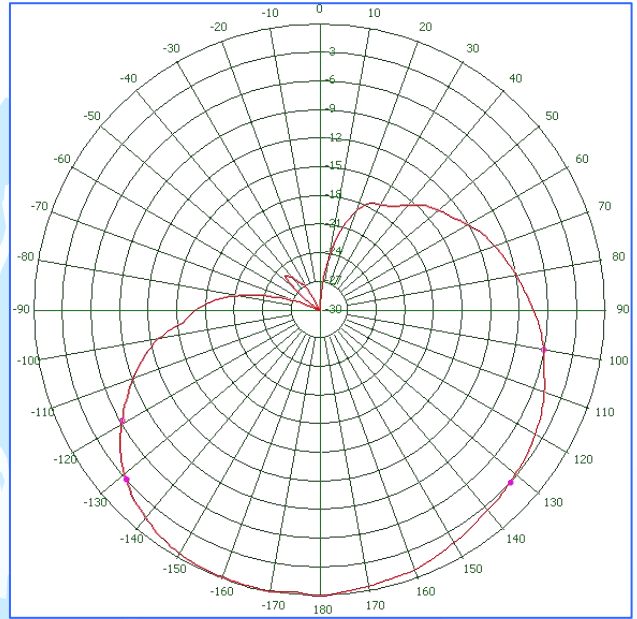




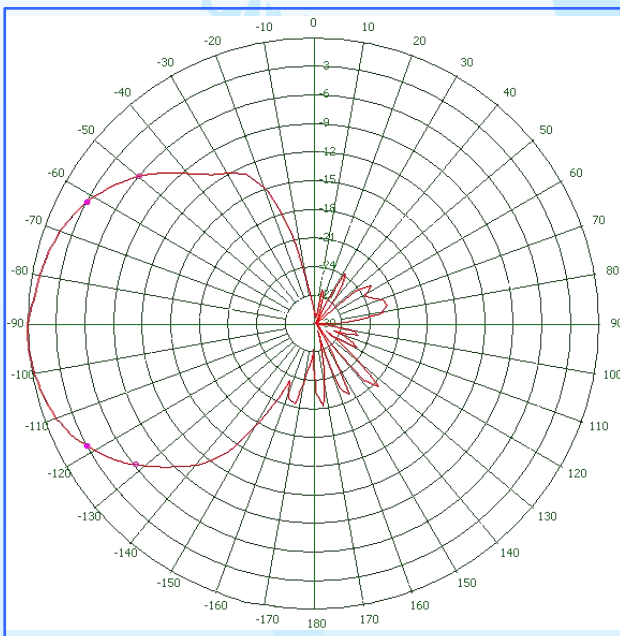
Anray Communication Technology CO.,LTD



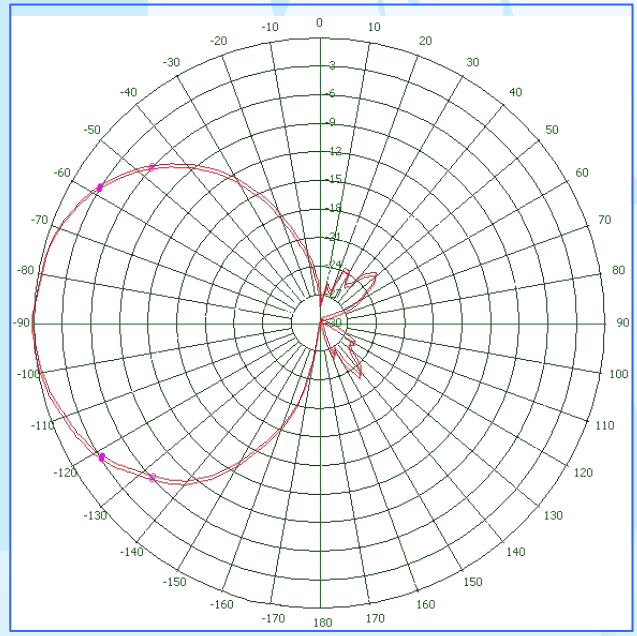
Port-2
2.44GHz-H Plane



Port-1
2.44GHz-H Plane



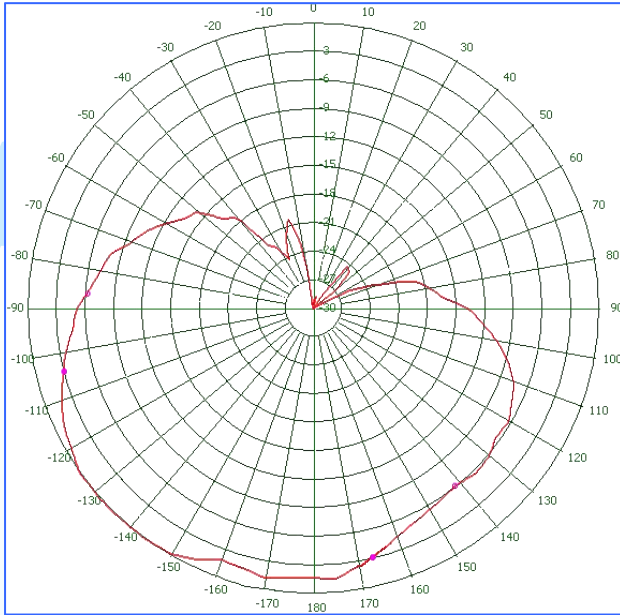
Port-2
2.44GHz-E Plane



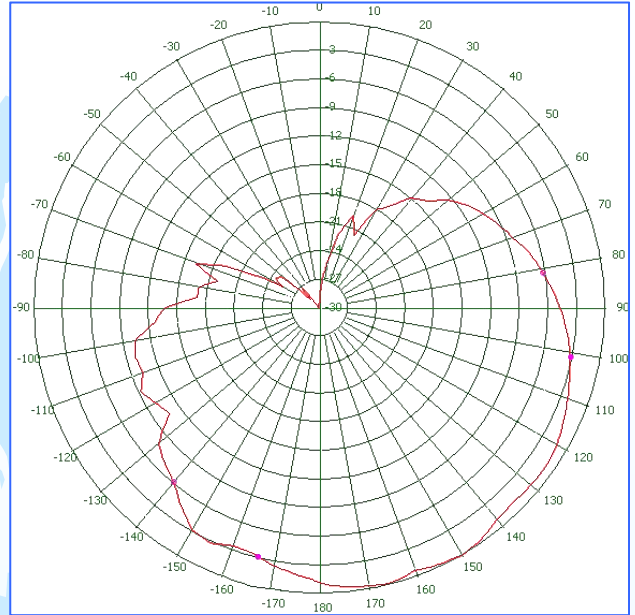
Port-1
2.44GHz-E Plane



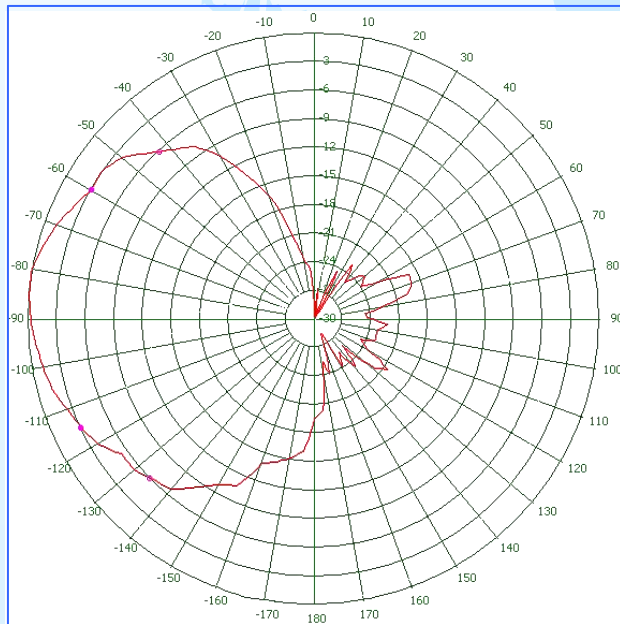
Anray Communication Technology CO.,LTD



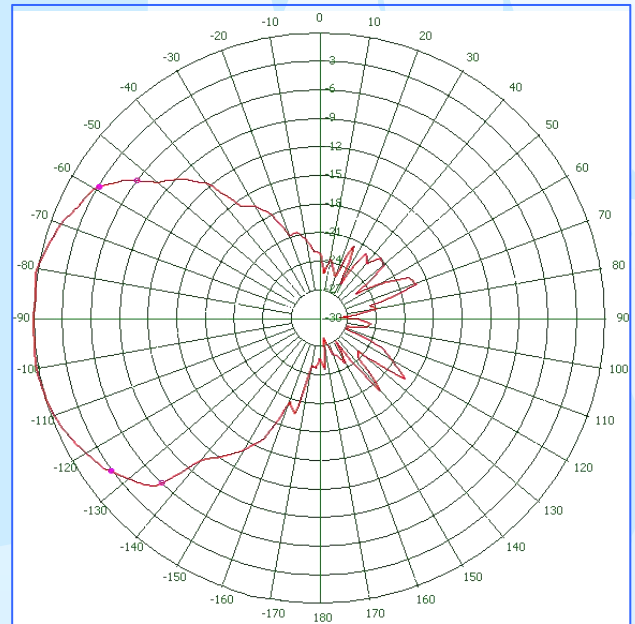
Port-2
5.55GHz-H Plane



Port-1
5.55GHz-H Plane



Port-2
5.55GHz-E Plane



Port-1
5.55GHz-E Plane