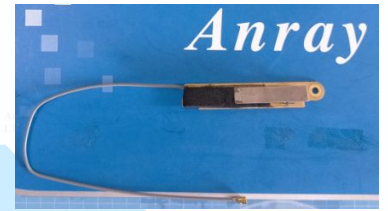


2.4G Band PIFA Intenna

Anray200830591JC03



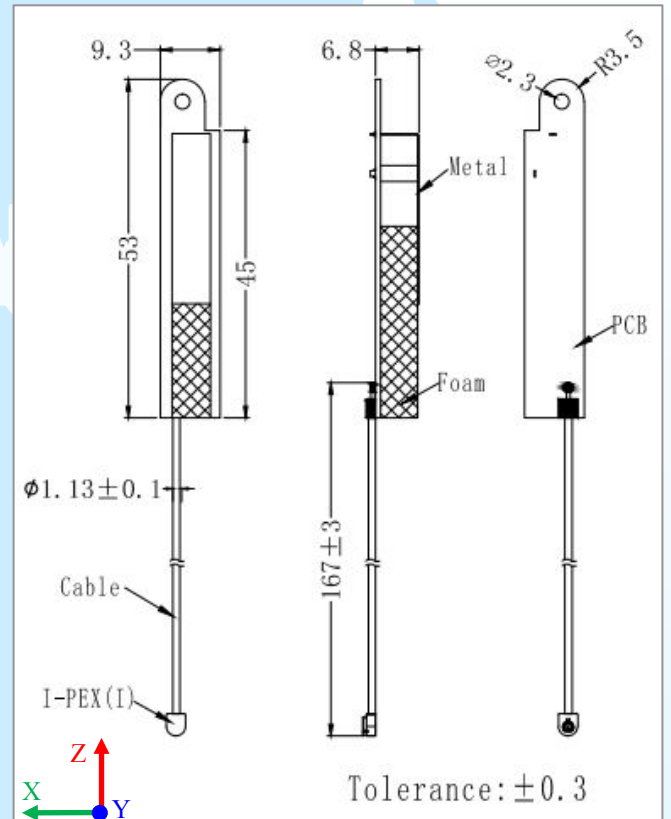
• Specifications

- **Frequency Band** 2400~2483.5MHz
- **VSWR(With SET)** ≤ 2.0
- **Peak Gain** 2.2dBi(Typical)
- **Polarization** Linear
- **Impedance** 50 Ohm(Nominal)
- **Antenna Size** 53*9.3*6.8mm
- **Antenna Consist**
PCB+Metal+Cable+Connector
- **Cable** $\varnothing 1.13/167$ mm/Gray
- **Connector** I-PEX(I)
- **Operation Temperature** $-30^{\circ}\text{C} \sim +70^{\circ}\text{C}$

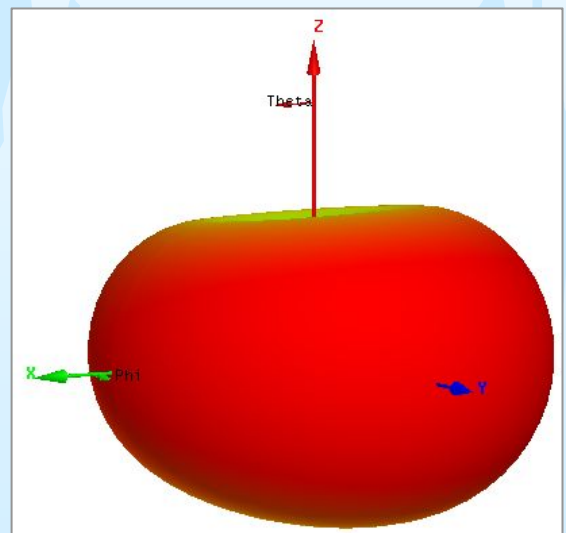
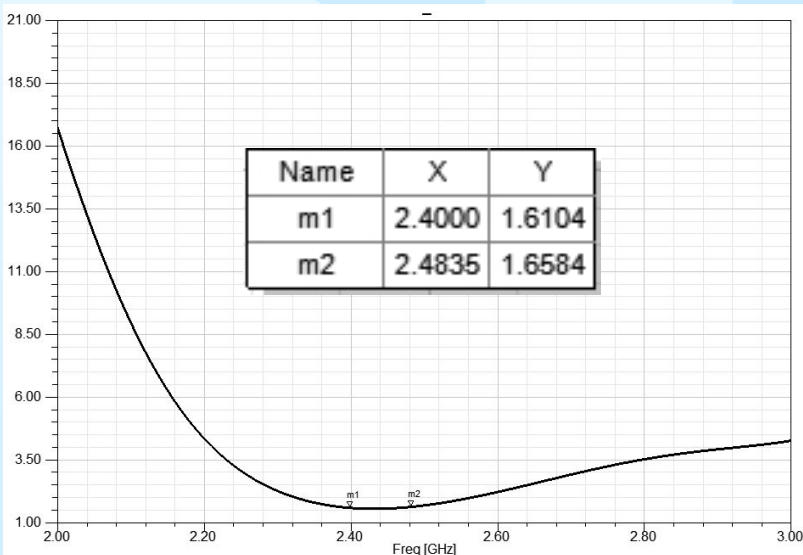
Note: Cable diameter&length&color can according to customer's requirement.

The antenna meets requirements of ROHS.

• Dimensions (Unit: mm)



VSWR



2.44GHz