

NR 5G & LTE wide band outdoor antenna-SMA Type

Electrical spec.:

- **Frequency Band & Peak Gain** (Without cable)

617~960MHz	2dBi (Typical)
1452~1496MHz	2dBi (Typical)
1710~2690MHz	3dBi (Typical)
3300~5000MHz	5dBi (Typical)
- **Polarization** Vertical
- **VSWR** (Without cable) < 3
- **Impedance** 50 Ω (Nominal)
- **Radiation pattern** Omni-Directional(Nominal)
- **Admitted Max. Power** 50W

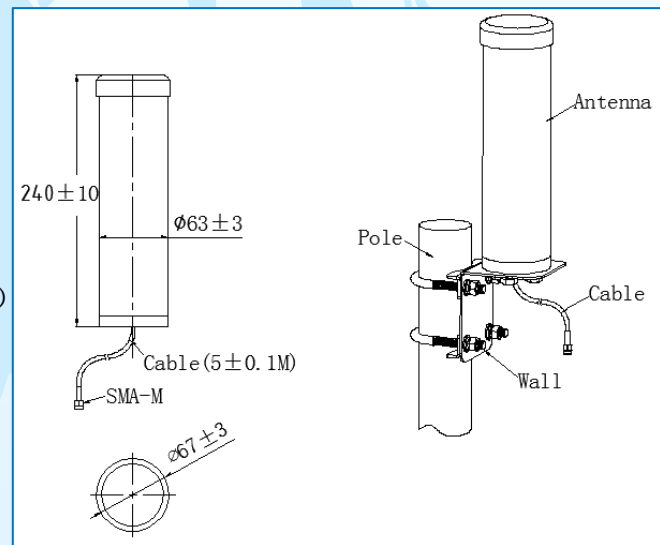
Anray201740107BA01



Mechanical spec.:

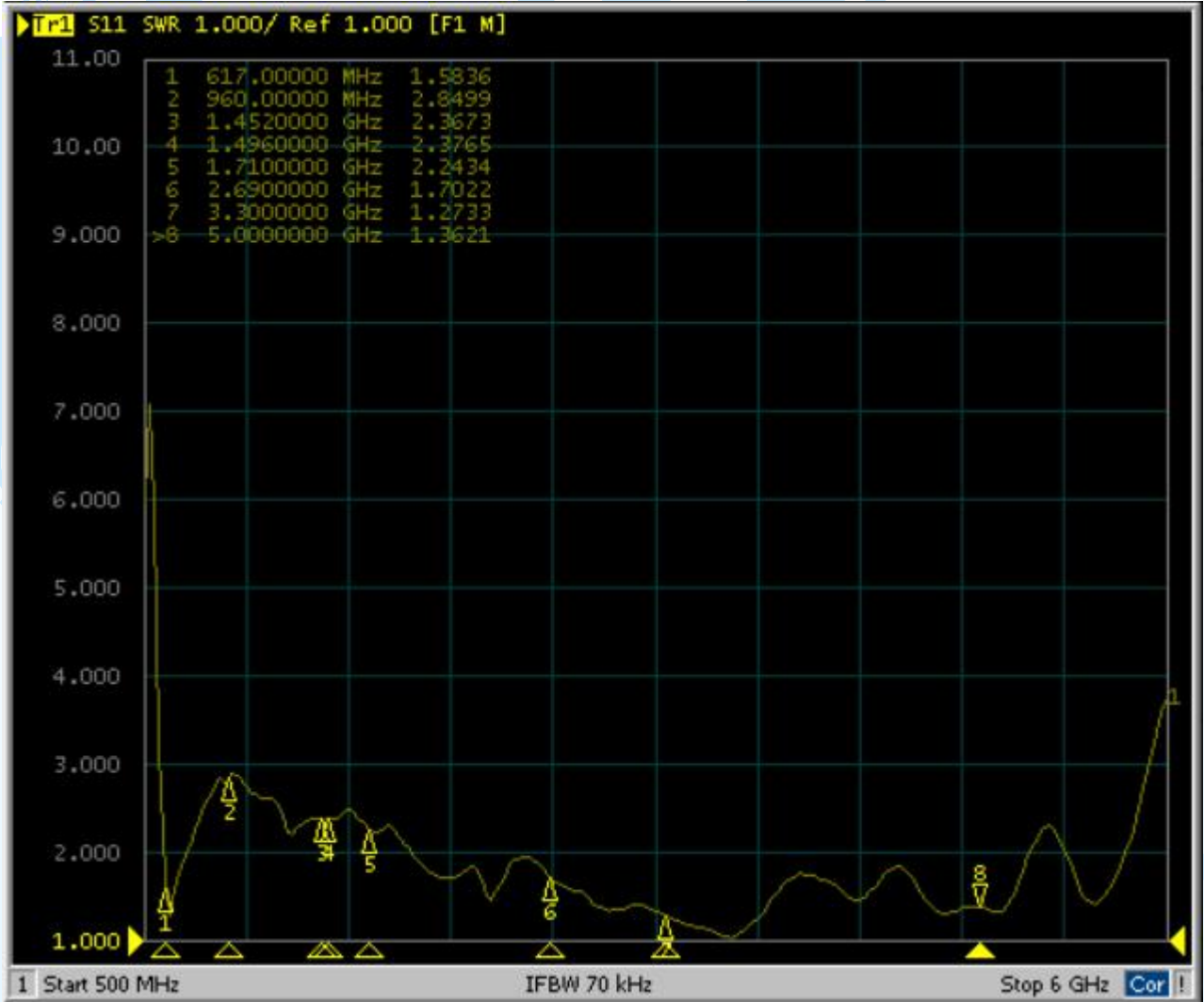
- **Antenna Size** φ63*240mm
- **Cover Material** FRP/Other
- **Lightning protection** DC Grounded
- **Mounted Method** Wall or Pole (φ30~50mm)
- **Cable** LMR195 (5M)
- **Connector** SMA-M/N-M/Other
- **Waterproof** IP67
- **Operation Temperature** -40°~ +85°C
- **Storage Temperature** -40°~ +85°C
- **ROHS** Compliant
- **Application** Base station

• Dimensions (Unit: mm)



Note: Antenna color、Connector type & Cable length can according to customer's requirement

Electrical performance:



VSWR (Without 5M cable)

