



Anray Communication Technology CO.,LTD

NR 5G & LTE wide band indoor antenna-SMA Type

Electrical spec.:

• Frequency Band & Gain(Max)

617~960MHz	1dBi (Typical)
1452~1496MHz	2dBi (Typical)
1710~2690MHz	3dBi (Typical)
3300~5000MHz	3dBi (Typical)

• VSWR ≤ 2.5

• Impedance 50Ω (Nominal)

• Polarization Vertical

• Radiation pattern Omni-Diretional(Nominal)

• Admitted Max. Power 5W

Mechanical spec.:

• Antenna Size 198*38*13mm

• Antenna Color Black

• Cover Material ABS

• Connector SMA-M/Other connector

• Tilt Function at joint 0° & 45° & 90°

• Rotation Founction at SMA $0^\circ \sim 360^\circ$

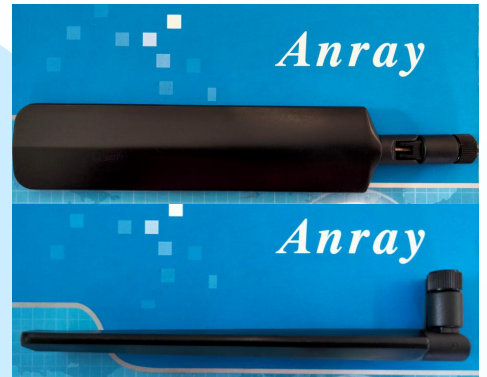
• Operation Temperature $-20^\circ \sim +70^\circ\text{C}$

• Storage Temperature $-40^\circ \sim +85^\circ\text{C}$

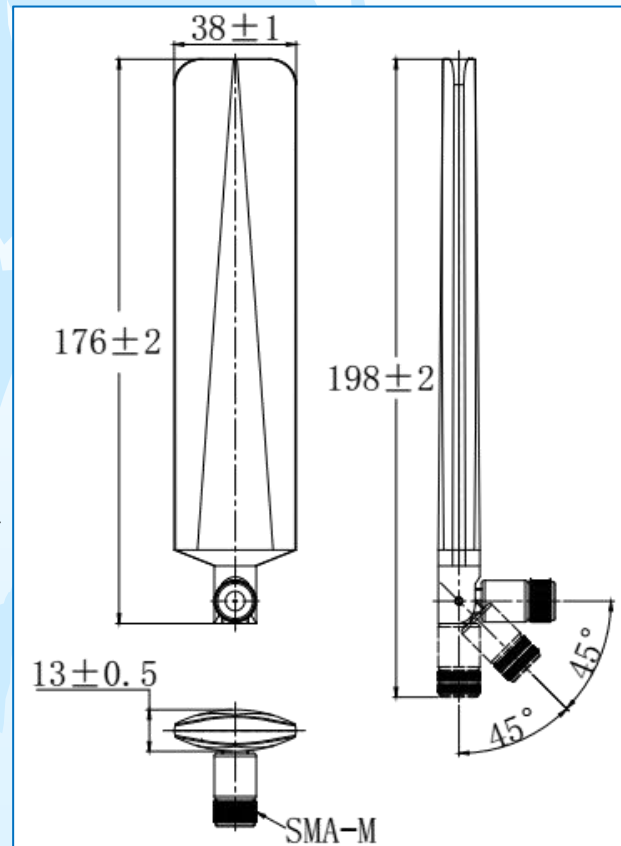
• ROHS Compliant

• Application Router、Mobile devices、 etc.

Anray201740207BB02

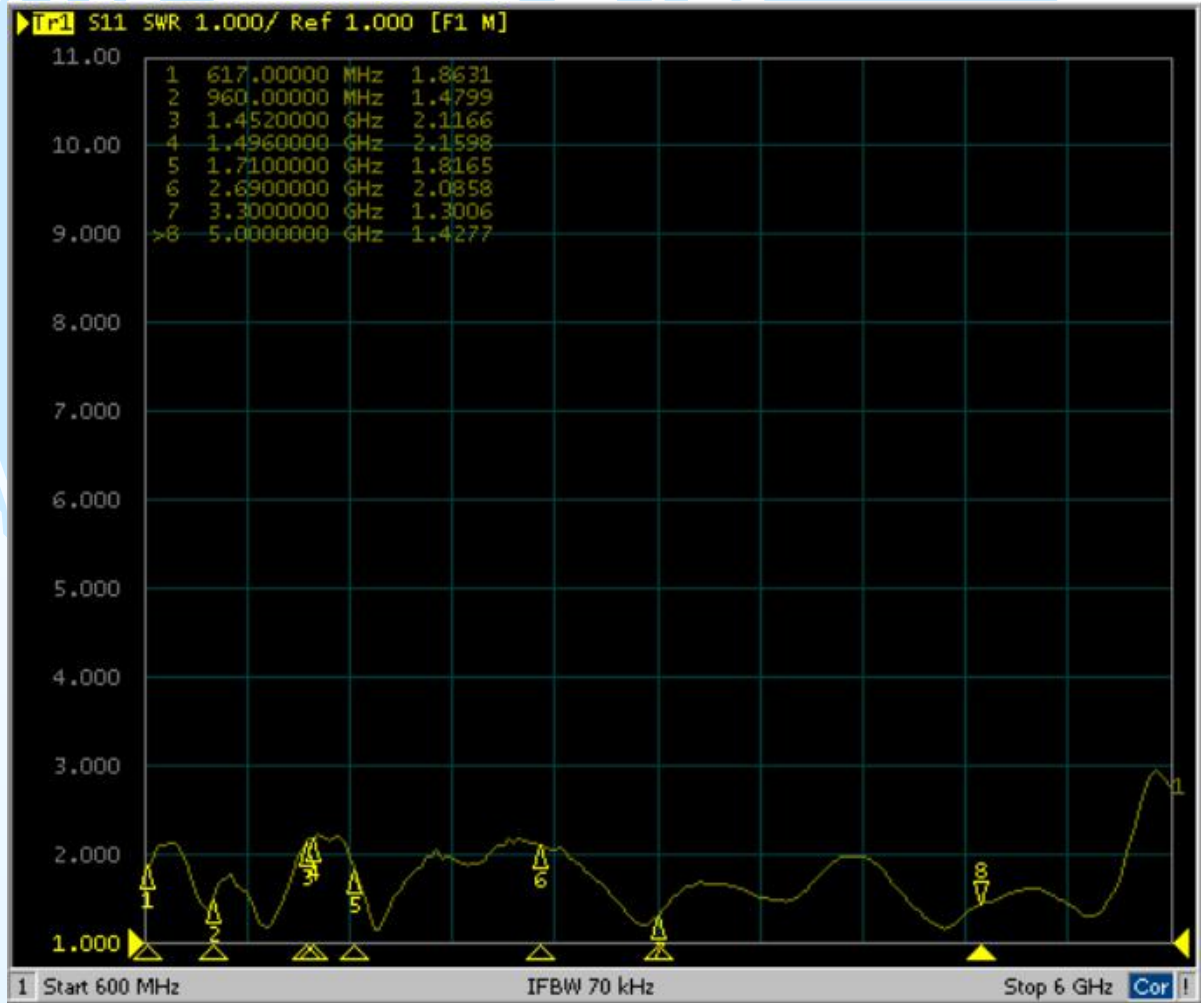


• Dimensions (Unit: mm)



Note: Antenna color & Connector type can according to customer's requirement.

Electrical performance:



VSWR

3D Radiation pattern

