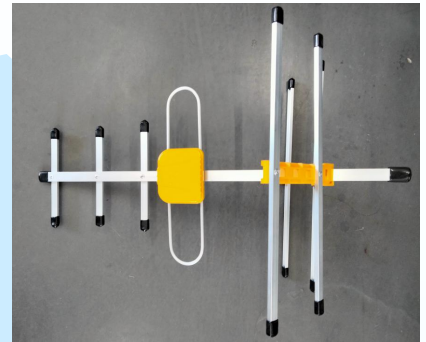


## DTV Band Yagi Antenna(Five element)

**Anray201210120IA01**

### Electrical spec.:

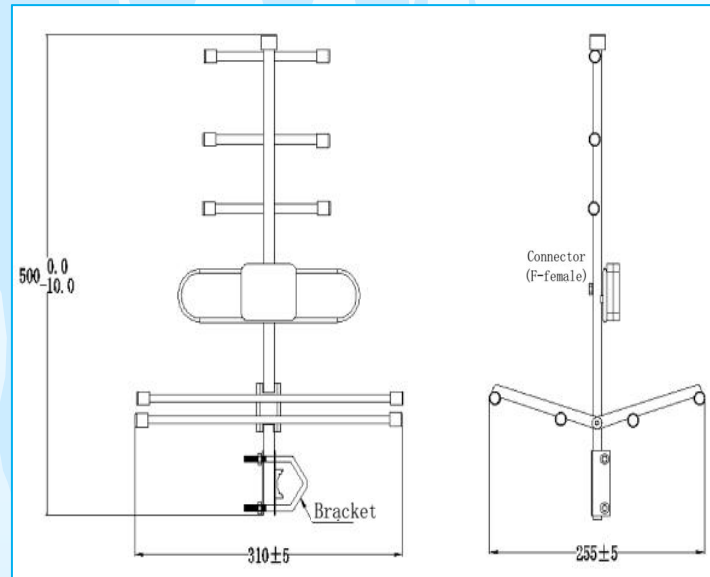
•Frequency Band	470~800MHz
•VSWR	≤3.0
•Gain (Max)	
470~650MHz	≥3.5dBi
650~800MHz	≥5.0dBi
•Impedance	75 ± 5Ω
•Polarization	Horizontal/ Vertical
•Lightning protection	DC Grounded



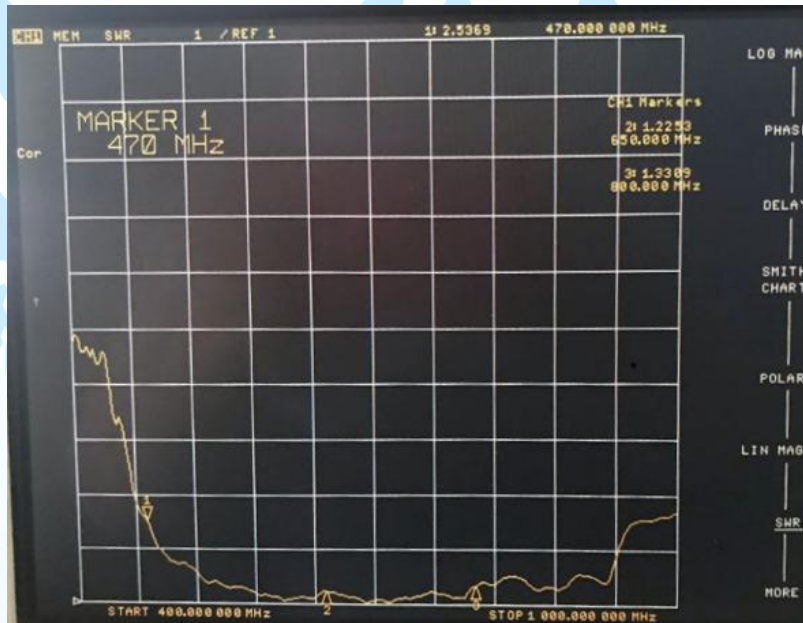
### Mechanical spec.:

•Antenna Length	500mm
•Connector Type	F-female
•Rated Wind Velocity	>28.5m/s
•Support pole diameter	φ20~φ45mm
•Weight	335 ± 10g
•Operation Temperature	0~ 60° C
•ROHS	Compliant
•Application	Outdoor

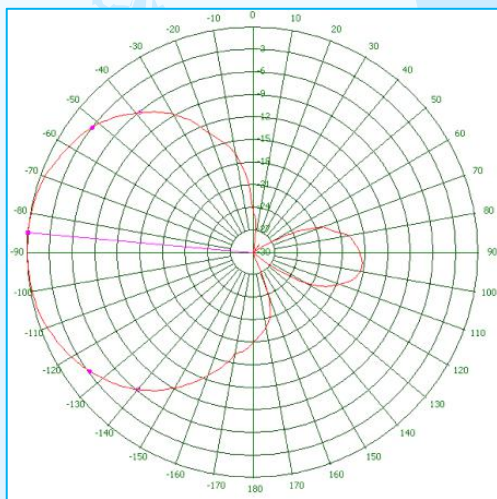
### Dimensions (Unit: mm)



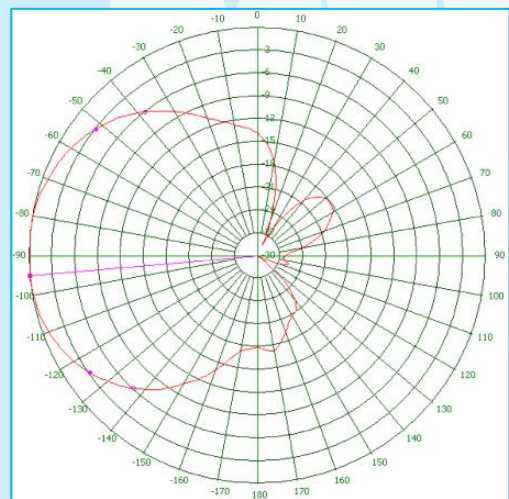
## Electrical performance Screenshot



**VSWR**



**560MHz**



**725MHz**