



Anray Communication Technology CO.,LTD

WiFi6E Triple Band (2.4GHz & 5GHz & 6GHz) single Feeding Antenna

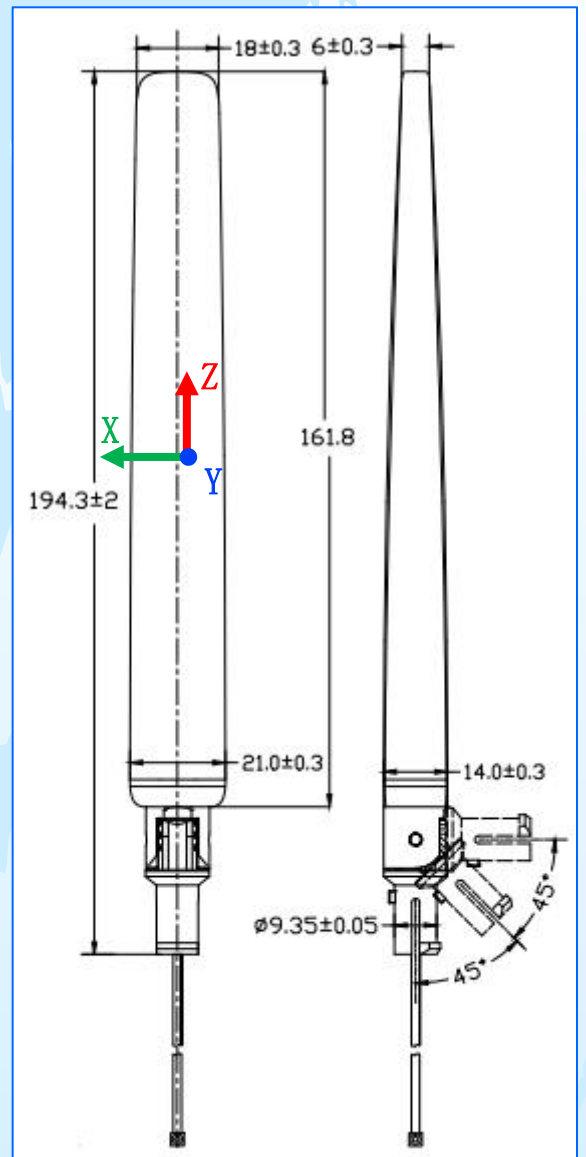
Electrical spec.:

•Frequency Band	2400MHz~2483.5MHz 5150MHz~5850MHz 5925MHz~7125MHz
•VSWR	<2.0
•Gain (Max)	4dBi (Typical) 6dBi (Typical) 6dBi (Typical)
•Impedance	50 Ω (Nominal)
•Polarization	Linear
•Radiation Pattern	Omni-Directional(Nominal)
•Admitted Power(Max)	5W

Anray210830203BA01



Dimensions (Unit: mm)

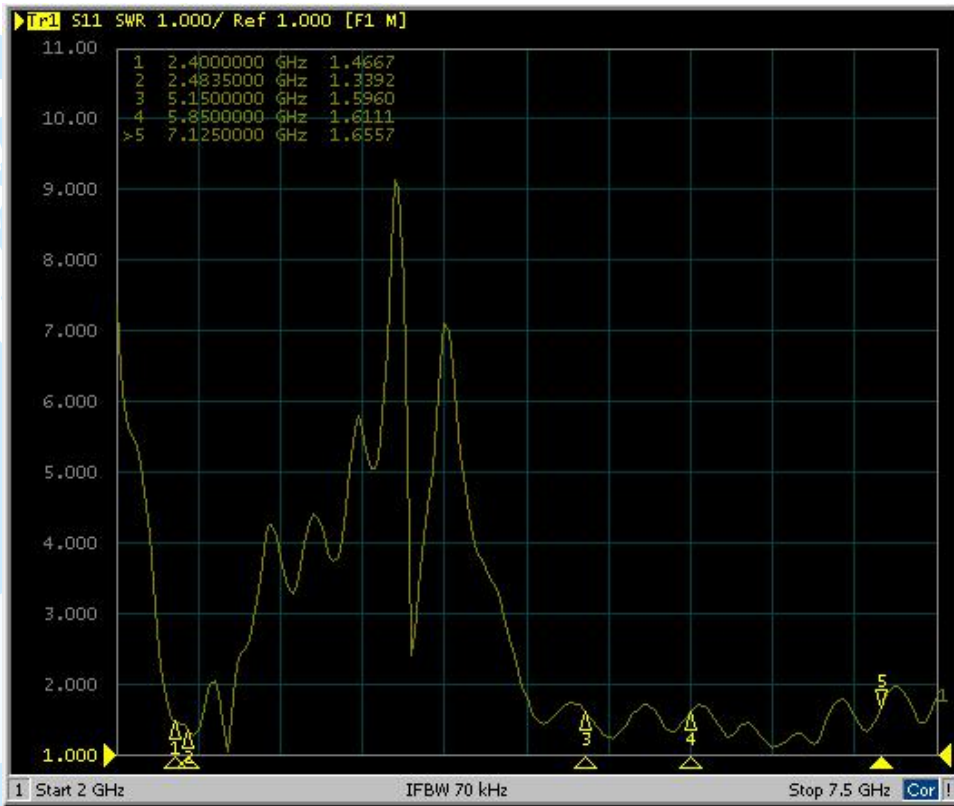


Mechanical spec.:

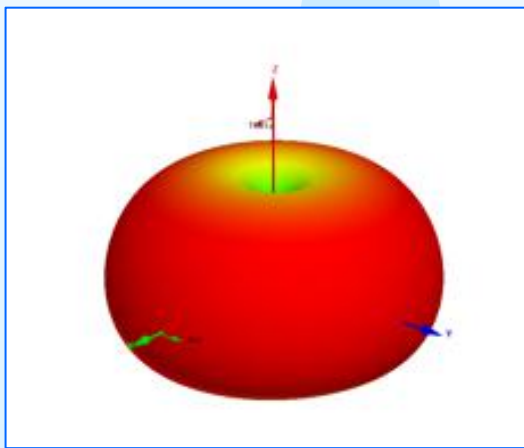
•Antenna Size	194.3*21*14mm
•Antenna Color	Black/Other
•Cover material	ABS
•Cable	ø1.37/Gray
•Connector	IPEX-I/Pigtail
•Tilt Function at joint	0° & 45° & 90°
•Storage Temperature	-30° ~ +70° C
•ROHS	Compliant
•Application	Router/Mobile devices

Note: Antenna color & Cable spec. can according to customer's requirement.

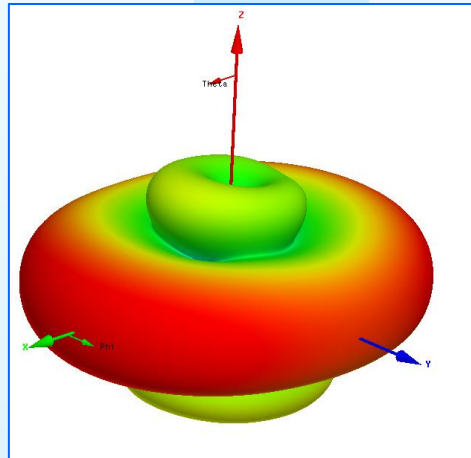
Electrical performance:



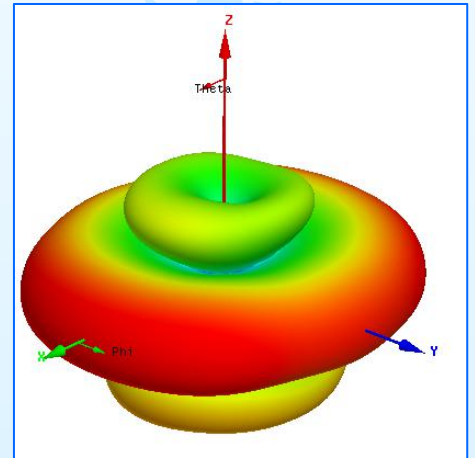
VSWR



2440MHz



5550MHz



6550MHz